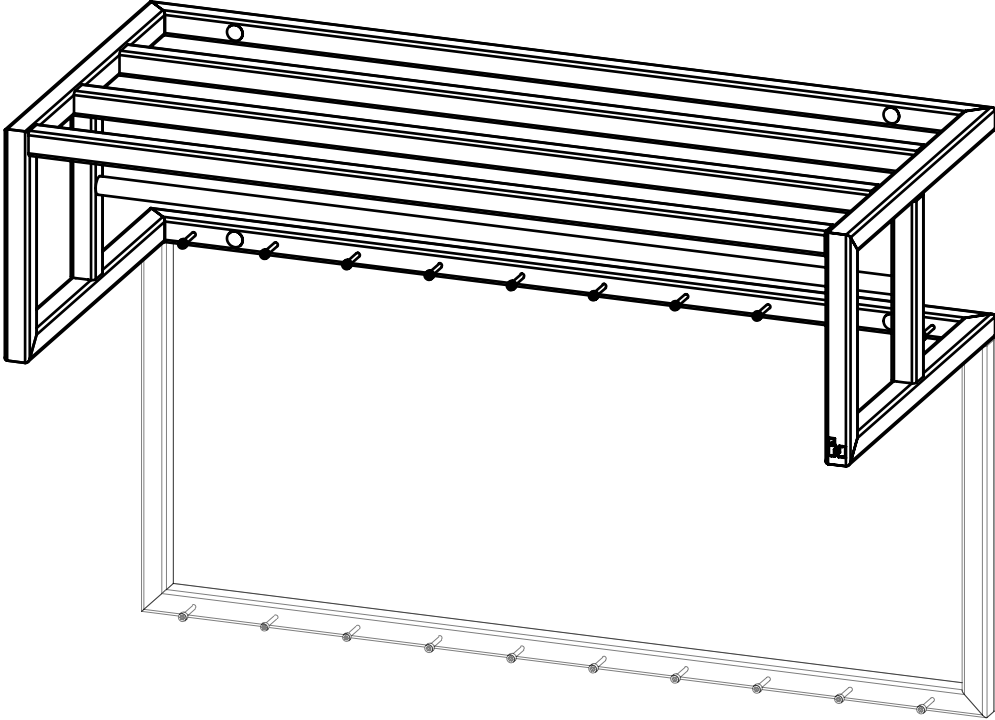



Coat rack Jack  
Installation Manual

# Contents



4st 

lag screw

4st 

Plug

4st 

Sealing cap

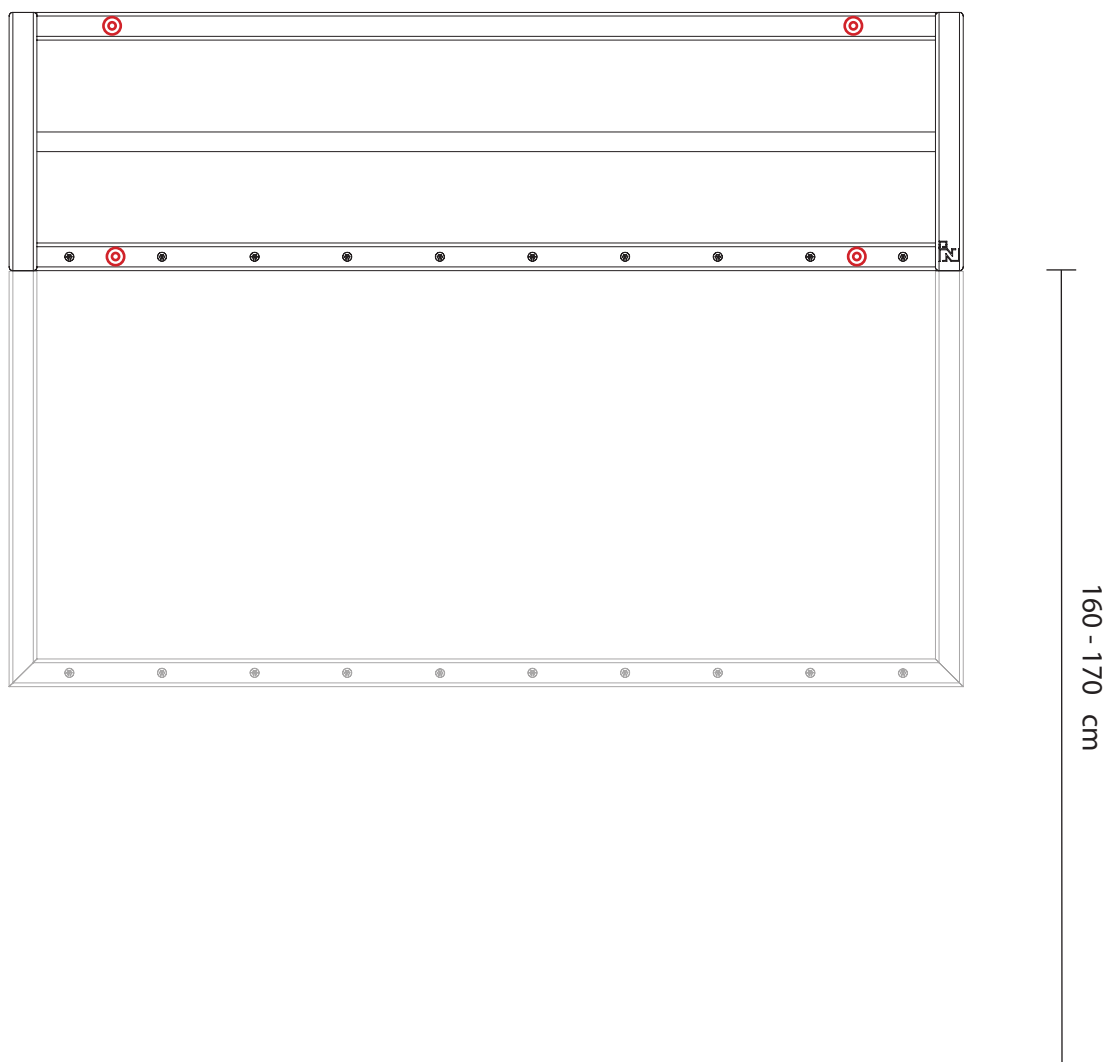
## Supplies

- Pencil
- Level
- Impact drill
- Stone drill Ø8mm
- Socket wrench 10

## 01| Preparation wall

---

It is recommended to install the coat rack with two or more people.



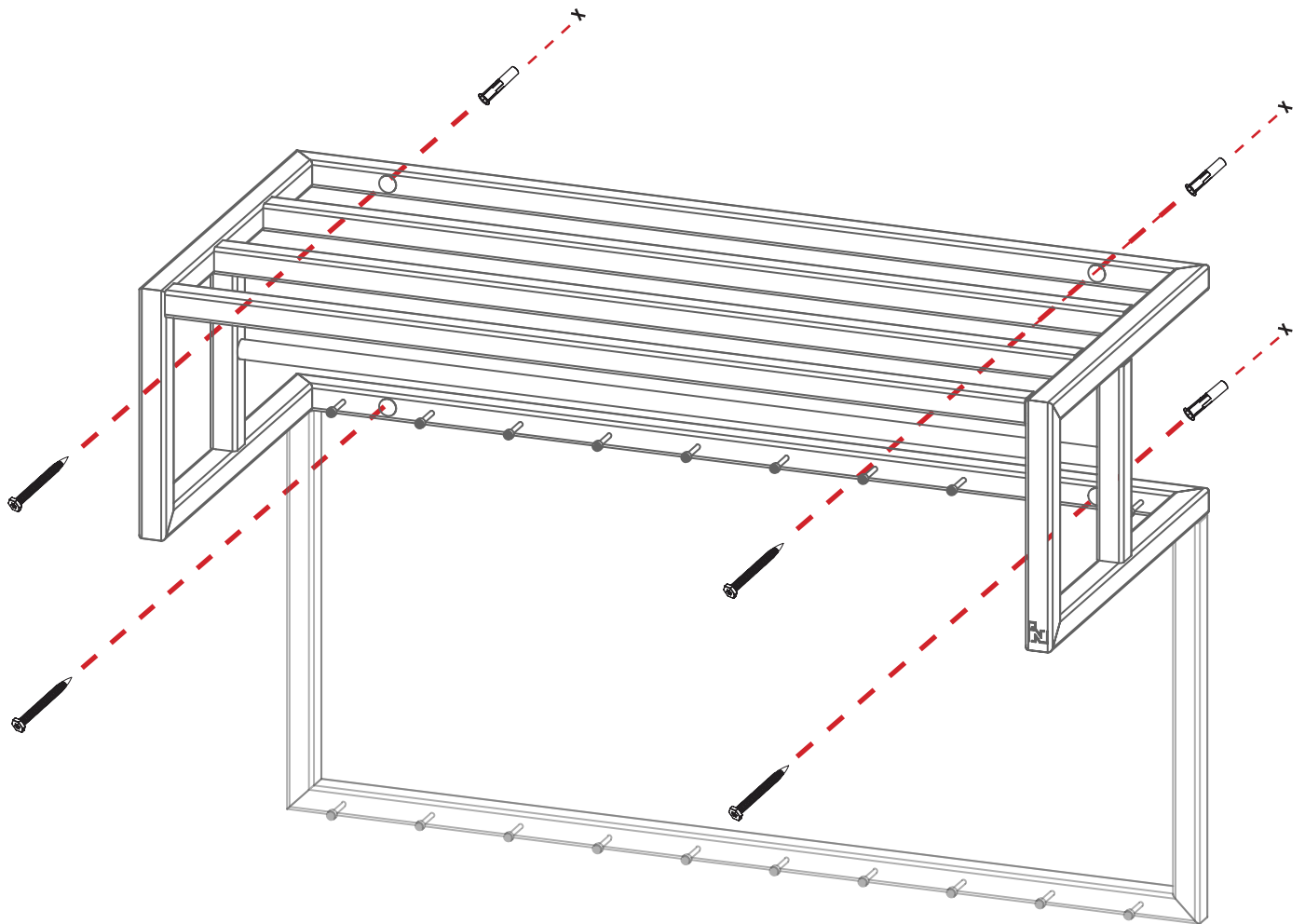
Determine the desired height for the coat rack. The average height for a coat rack is between 160 and 170 cm from the ground.

Hold the coat rack against the wall at the desired height and mark the holes at the four positions marked in red.

Make sure that the coat rack hangs level

## 02| Mounting on the wall

---



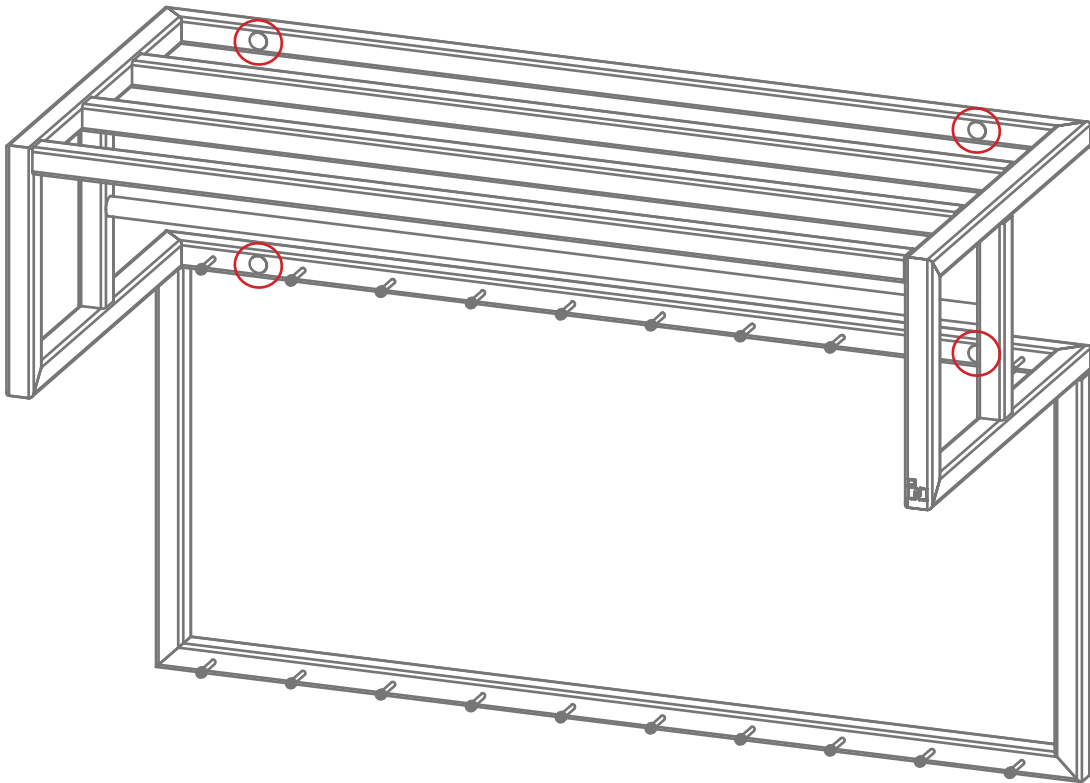
Drill the holes at the marked positions.

Add the plugs to the pre-drilled holes.

Fix the coat rack to the wall with the four lag screws. Use a socket wrench for this.

## 03| Add sealing caps

---



Seal the holes in the coat rack with the four sealing caps supplied



Thank you for your purchase!

Have fun with your coat rack | Jack

# Indusigns

van ontwerp tot realisatie