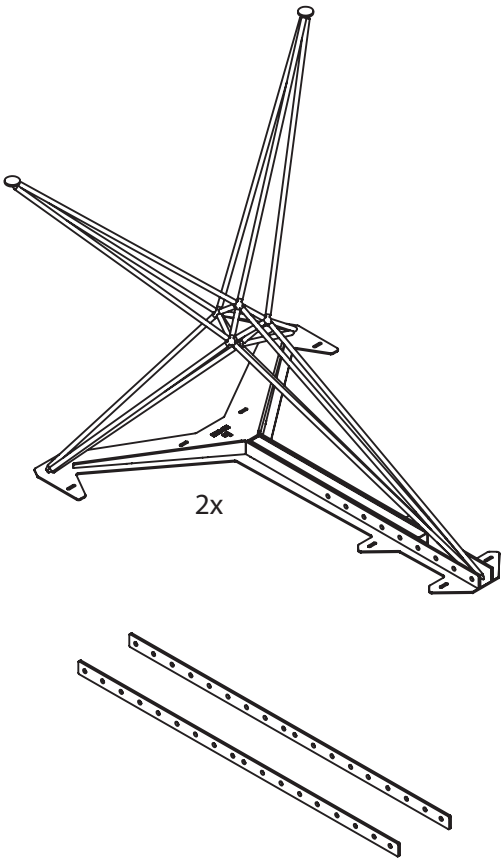


Hairpin Table Frame | Original  
Installation manual

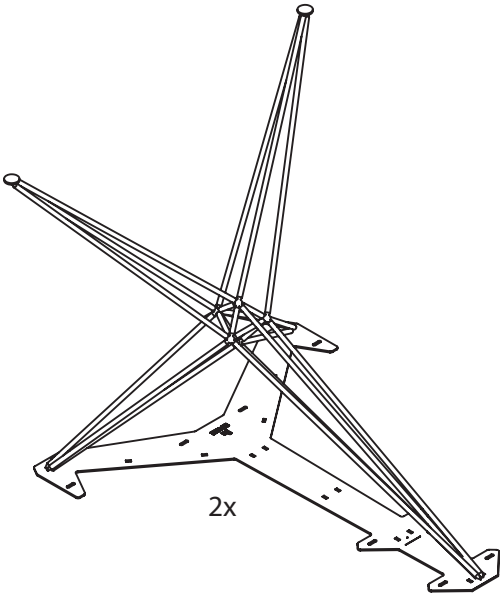
# Contents



2x

With coupling element


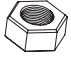

Of



2x

Without coupling element

- 16-28st  Felt pads
- 16-28st  Rubber washer
- 16-28st  Metal washer
- 16-28st  Wood screw

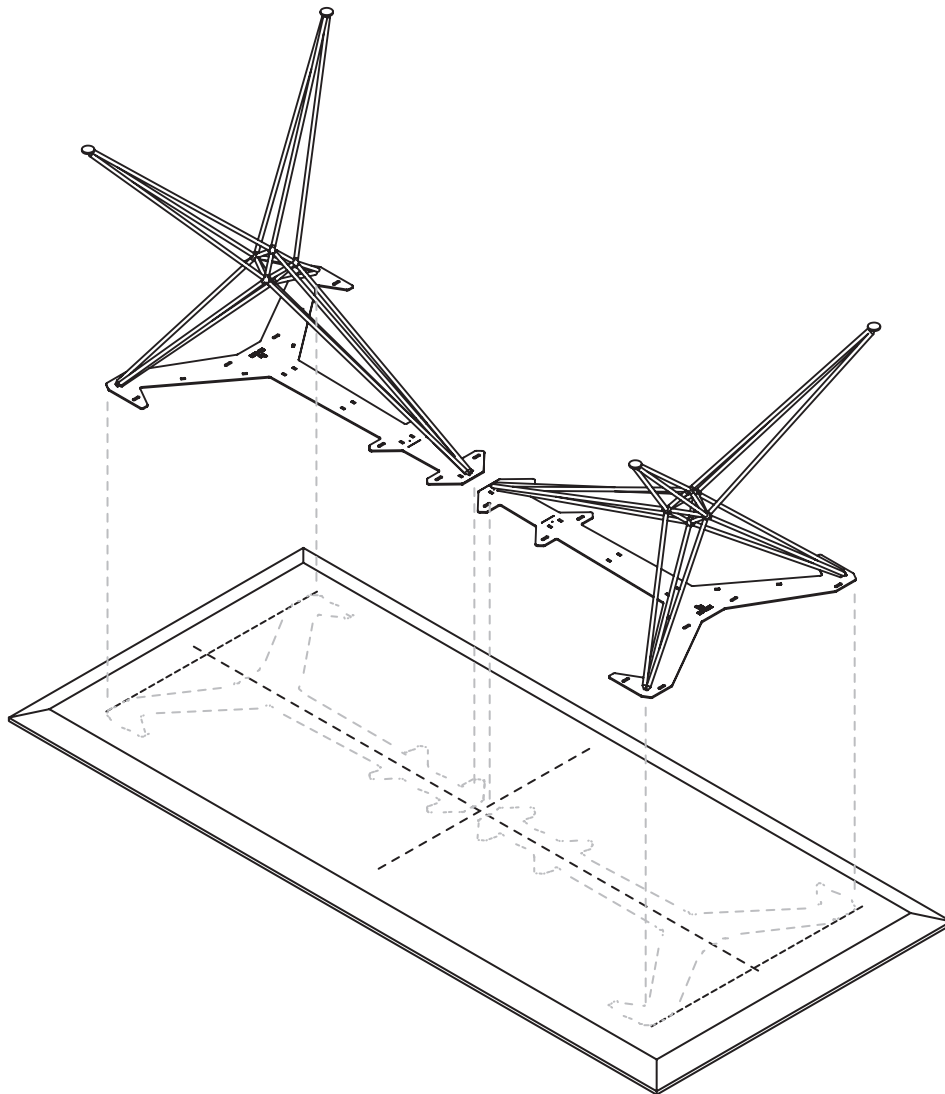
- Met koppelement:
- 4st  Black Allen screw
  - 4st  Black nut
  - 8st  Black metal washer

- Supplies
- Pencil
  - Long ruler
  - Tape measure or measuring tape
  - Wood drill Ø3mm
  - Phillips screwdriver

## 01| Determine position

---

Use a soft surface during installation to avoid damage



Place the tabletop upside down on a soft surface (e.g. a rug) to prevent scratches.

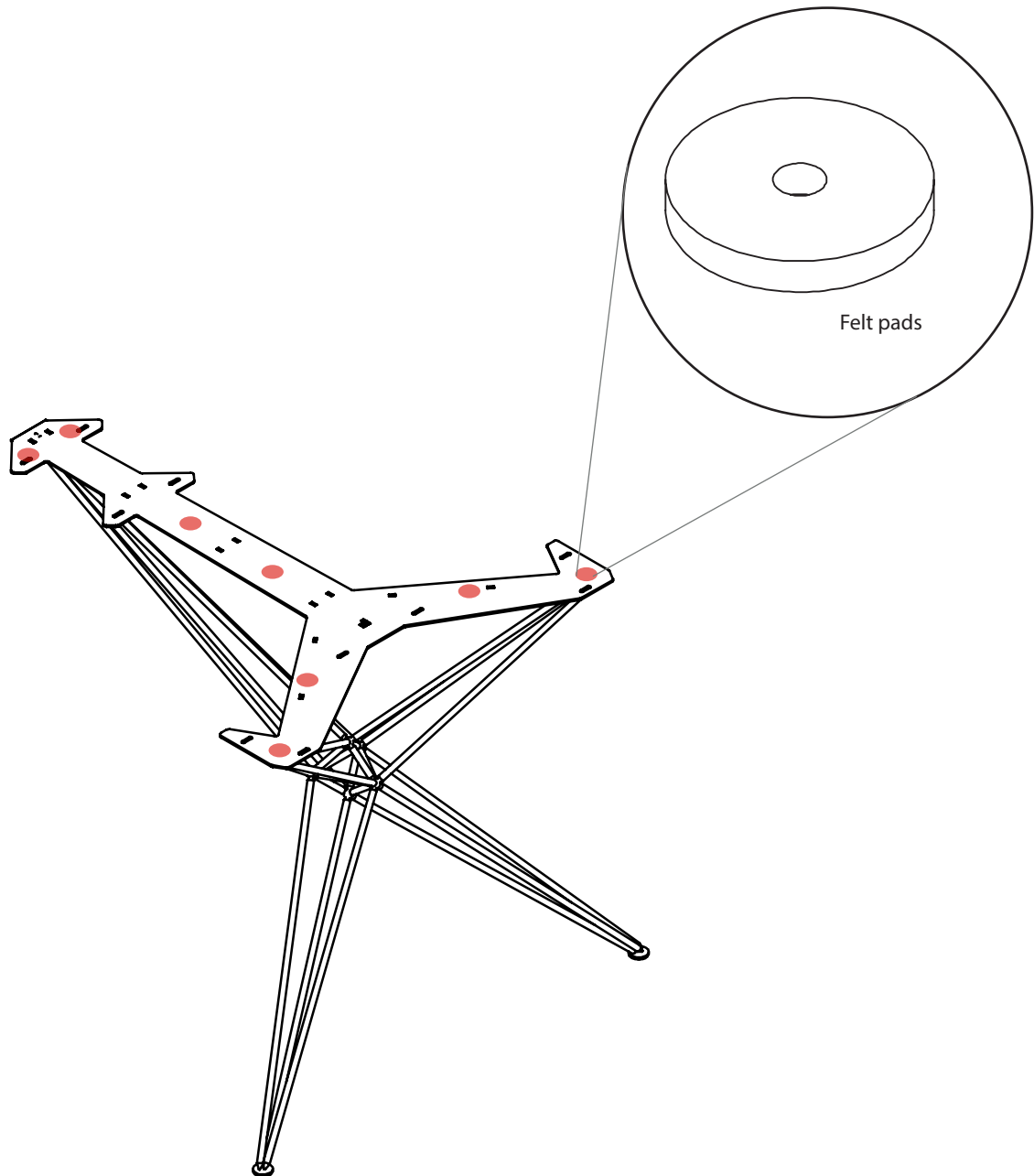
Draw a center line along the length and width of the sheet to determine the position of the frames.

Place the frames with the mounting plate on the table top and position them as desired. Make sure that they are symmetrically aligned with respect to the blade and each other.

Coupling element: When determining the position, pay attention to the alignment of the coupling element with respect to the frames.

## 02| Add felt pads

---



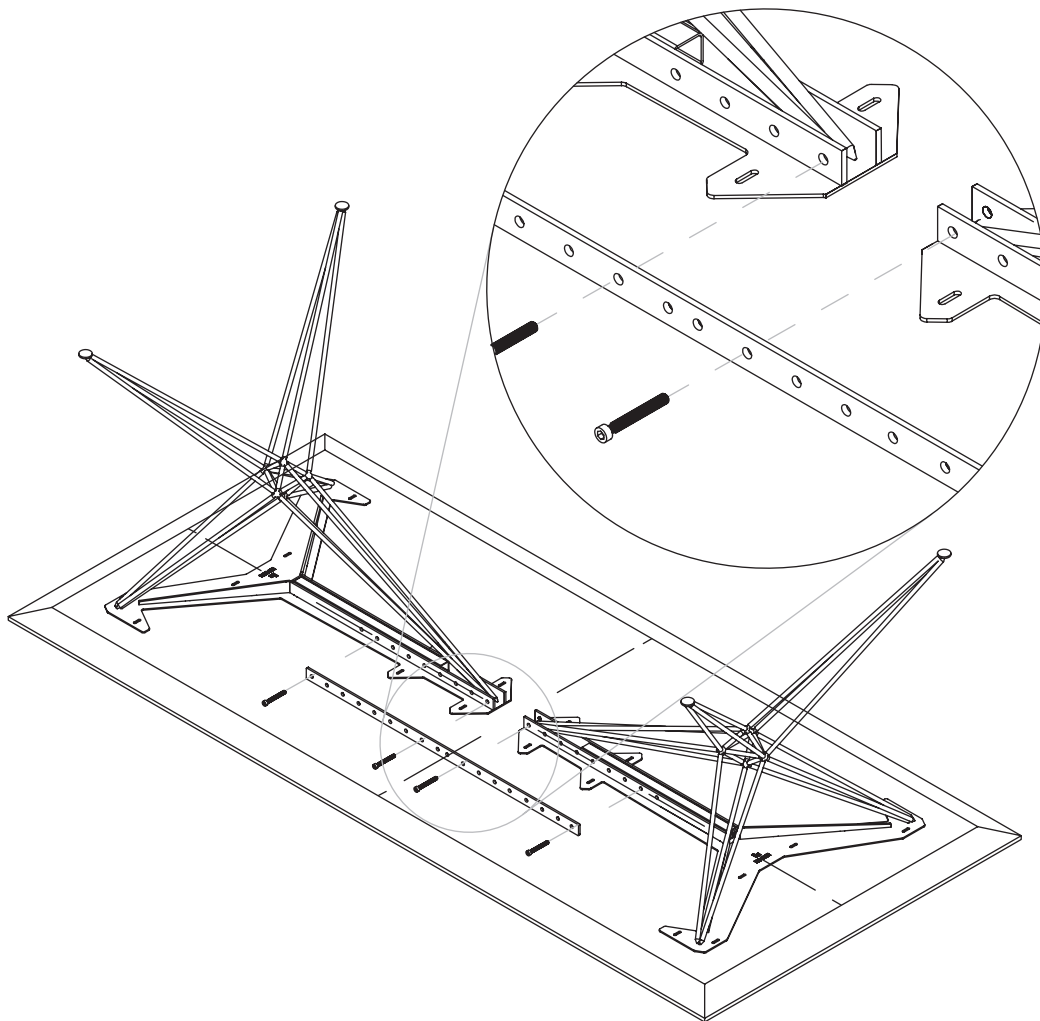
Add some felt pads to the top of the hairpin frame.

## 03| Determine position with coupling element

---

The next two steps deal with the coupling element.

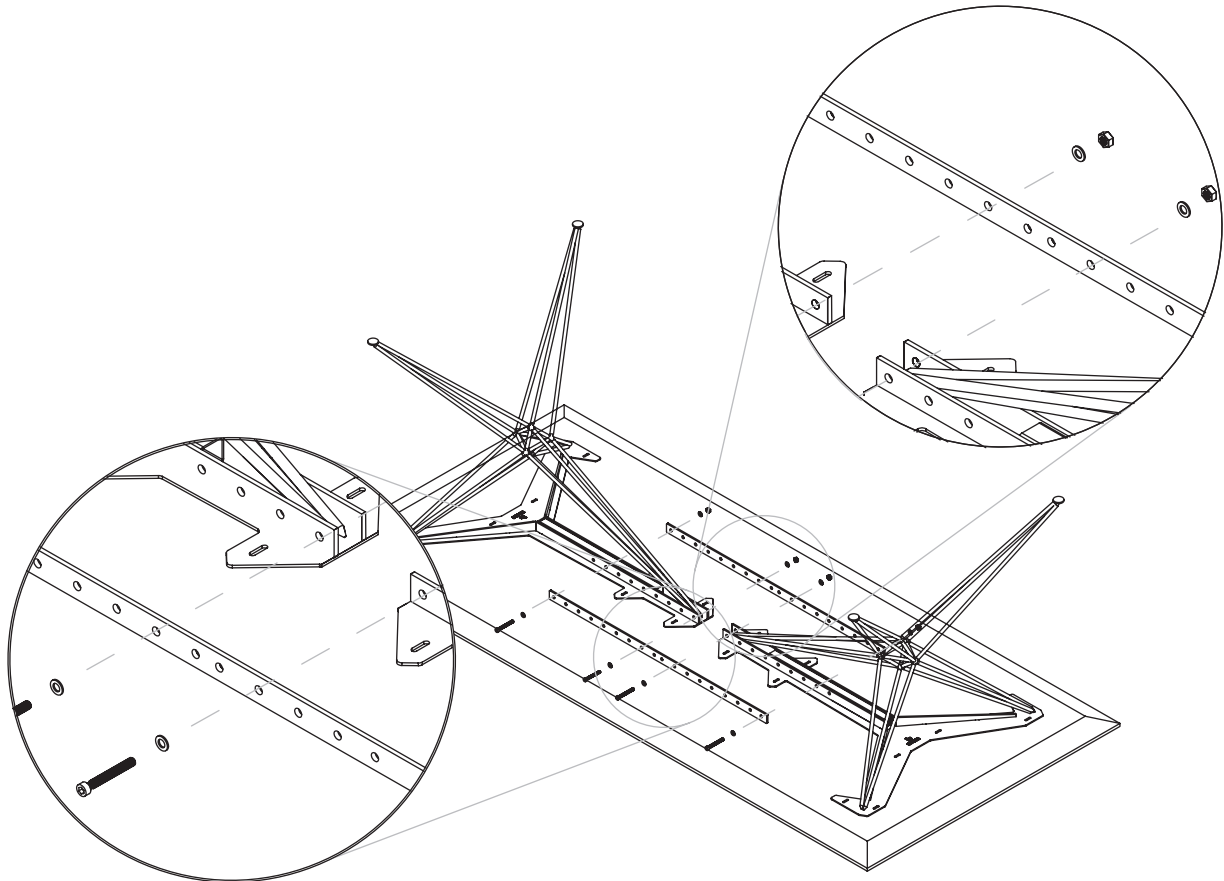
Don't have a link? then skip steps 3 and 4 and proceed to step 5.



Coupling element: When determining the position, pay attention to the alignment of the coupling element with respect to the frames.

## 03| Fix coupling element

---



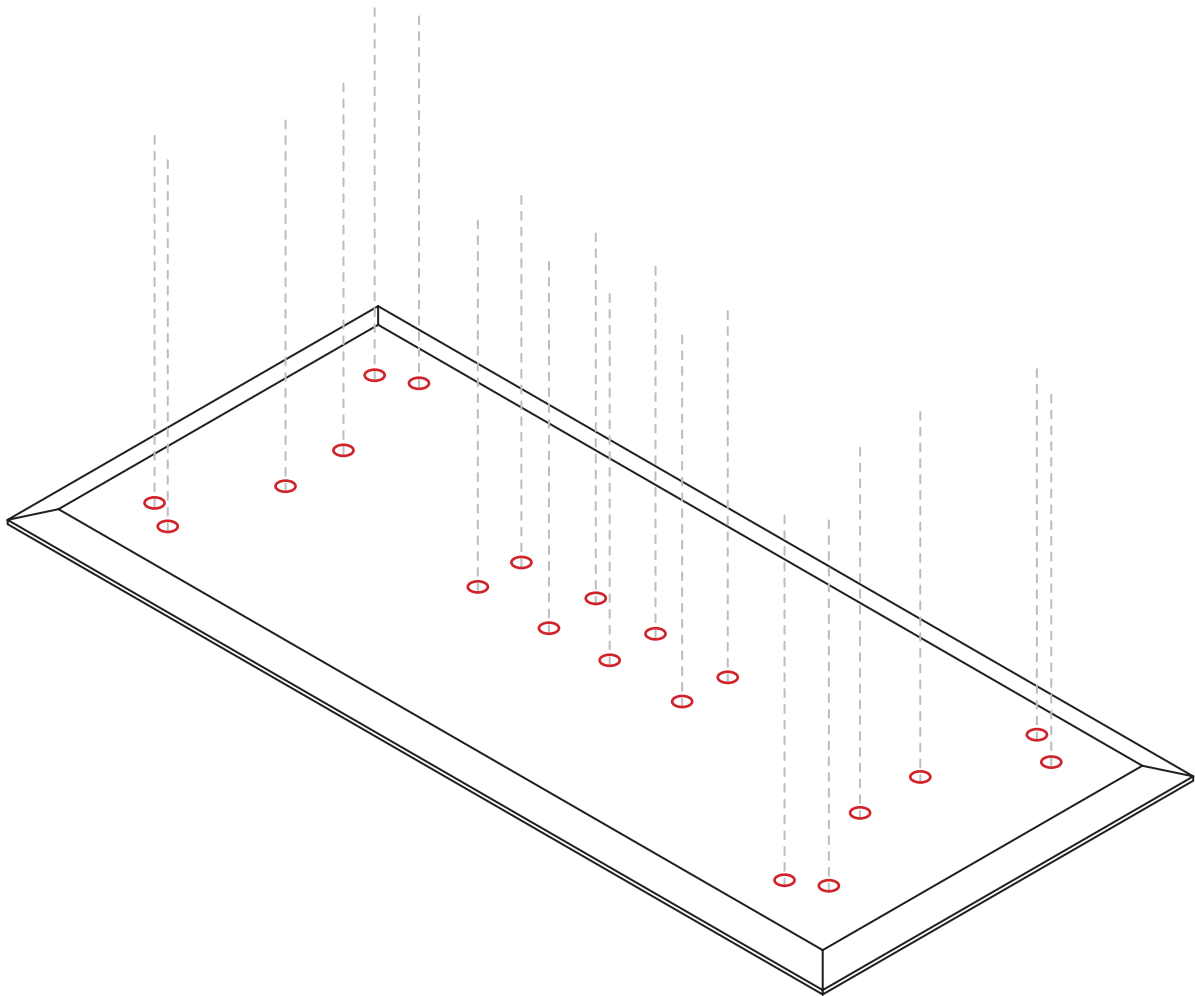
Coupling element: When the frames are positioned correctly, secure this unit with the coupling element. Use the supplied black bolts, nuts and washers for this.

Attach the coupling element to each frame with two bolts: one like this close to the center and one as far from the center as possible.

Tighten the bolts and nuts well so that they are tight.

## 03| Drill holes in the tabletop

---

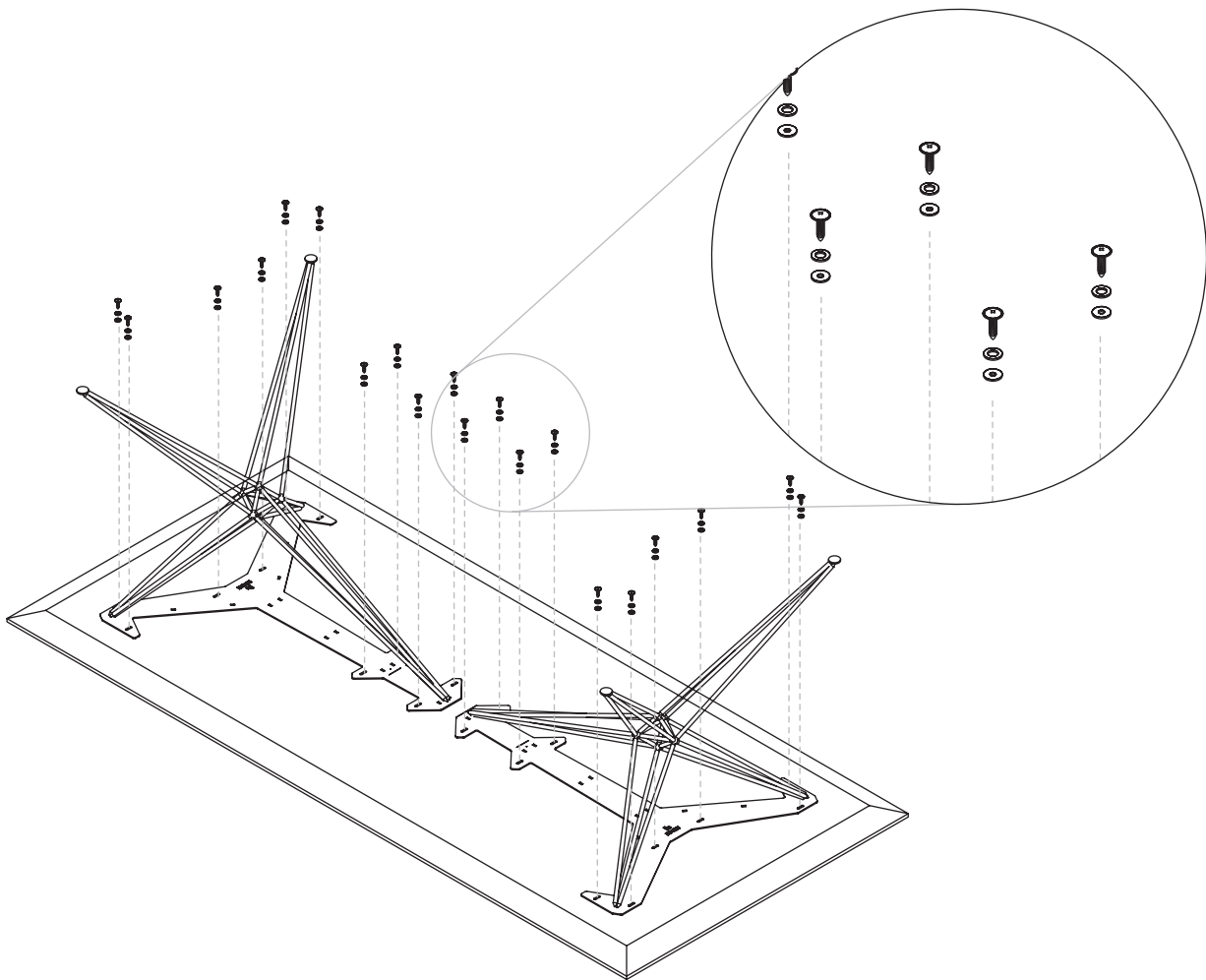


Mark the holes on the table top and remove the hairpin frames from the table top.

Pre-drill the holes at the marked positions with a  $\varnothing 3\text{mm}$  wood drill bit. Remove the sawdust from the holes.

## 04| Fix the tabletop

---



Replace the frames with the mounting plate on the table top and align them with the holes.

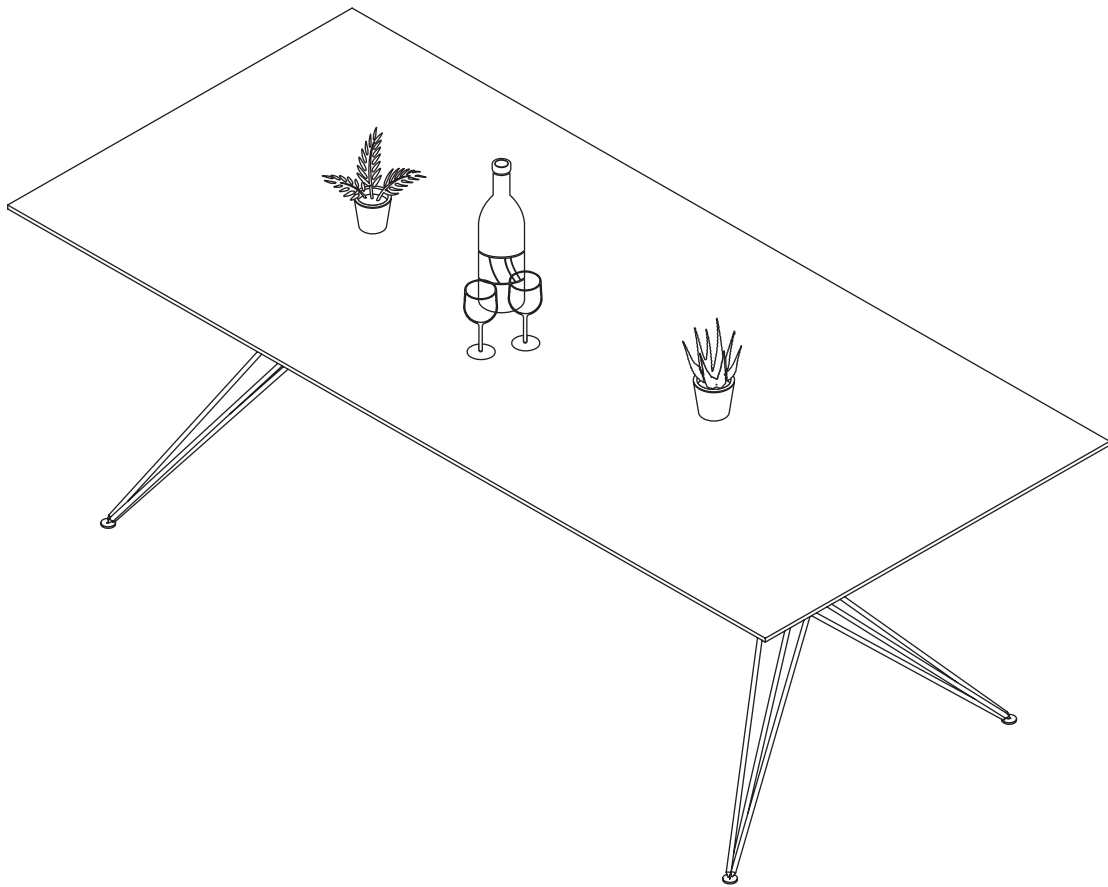
When the frames are positioned correctly, they can be attached with the supplied fasteners.

Tighten the screws well, but never overtighten them. If they are stuck it is enough. If you hear wood creaking while screwing, remove the screw and drill the hole a little further.



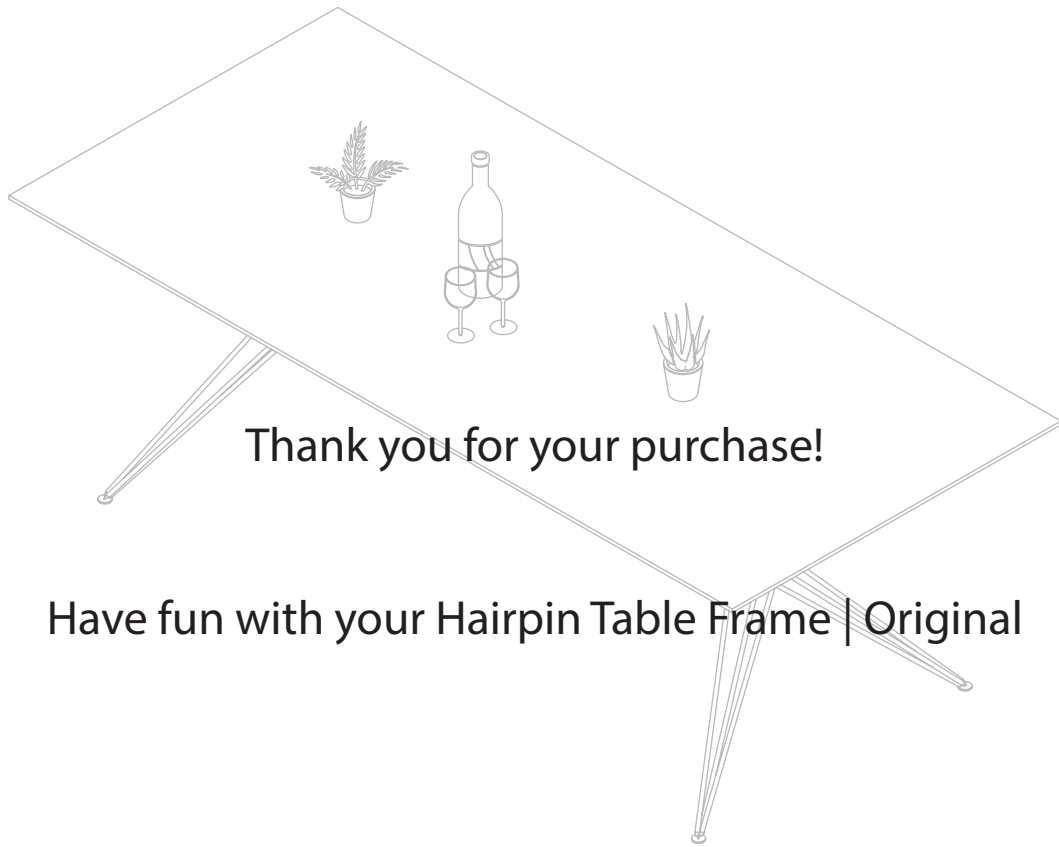
## 05| Turn the table

---



Flip the table. Do this with several people to prevent any damage.

The installation is now complete and the table is ready for use.



Thank you for your purchase!

Have fun with your Hairpin Table Frame | Original

# Indusigns

van ontwerp tot realisatie