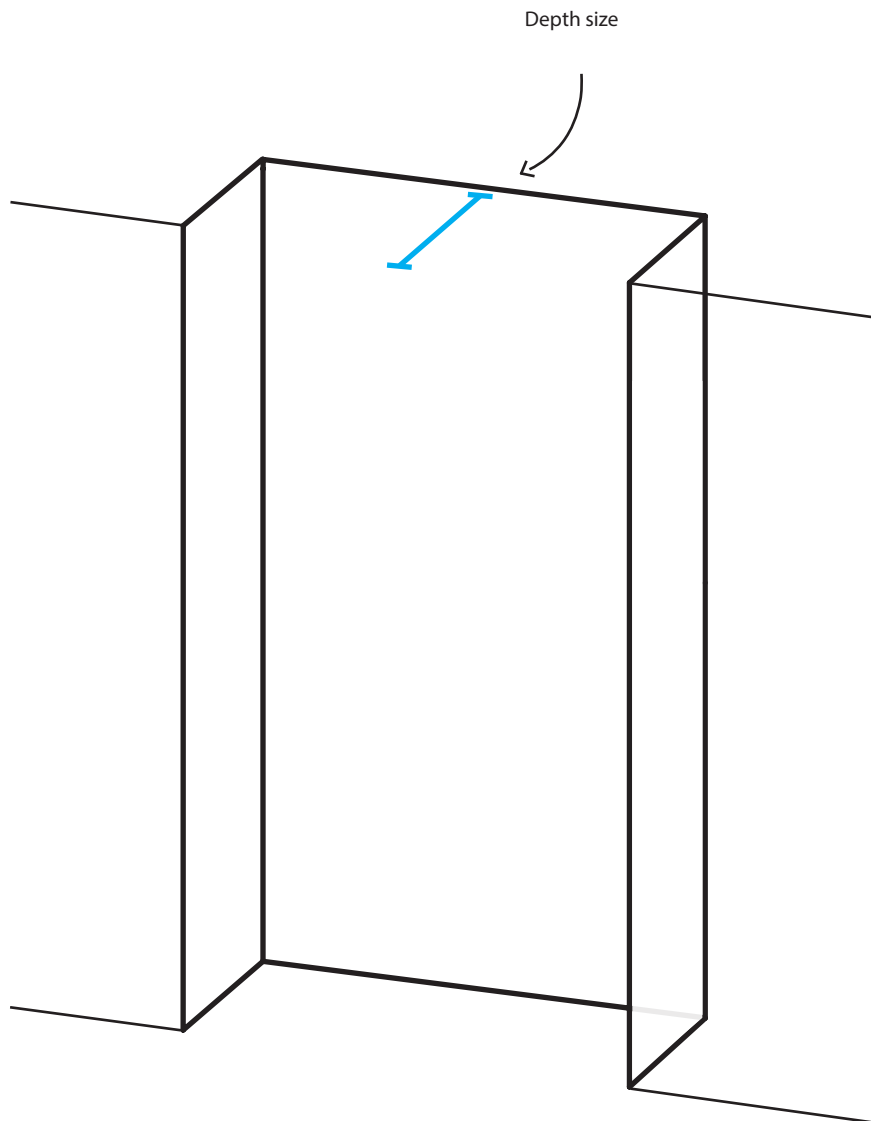


Coat rack Jack
Measuring aid

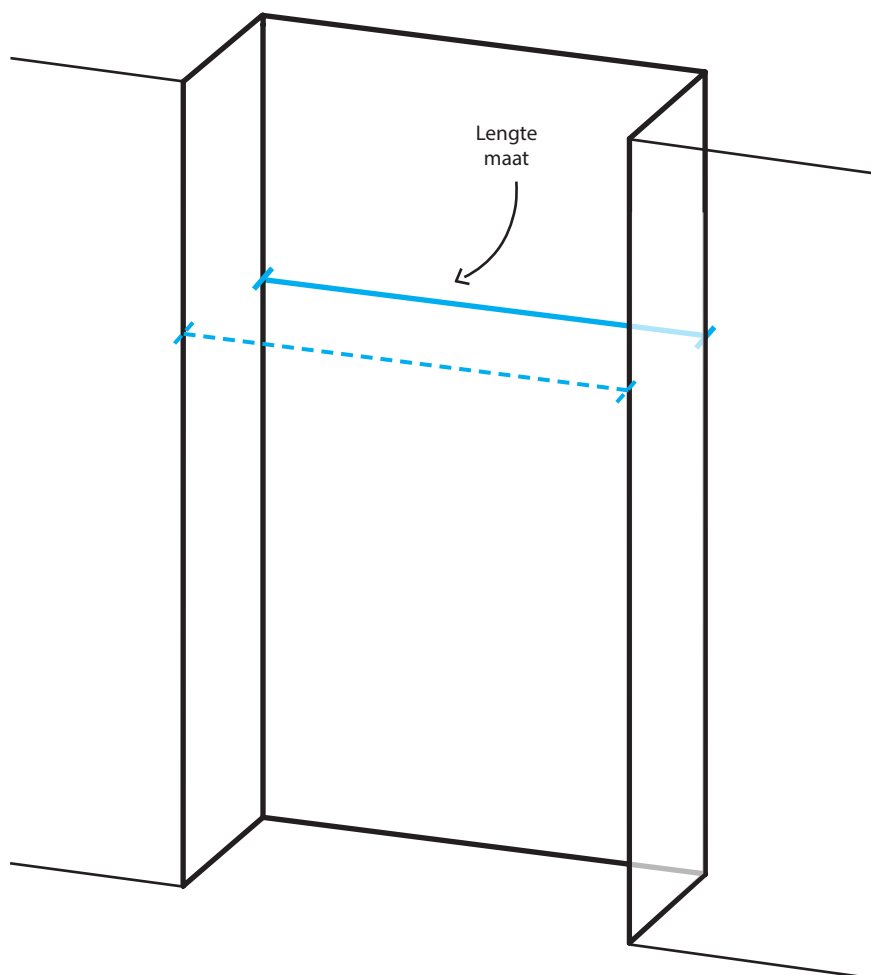
01| Determine type of coat rack



Depth size: Measure the depth of the niche and determine which type of coat rack is most suitable for the niche;

- Coat rack Type 1: 470 mm deep
- Coat rack Type 2: 300 mm deep

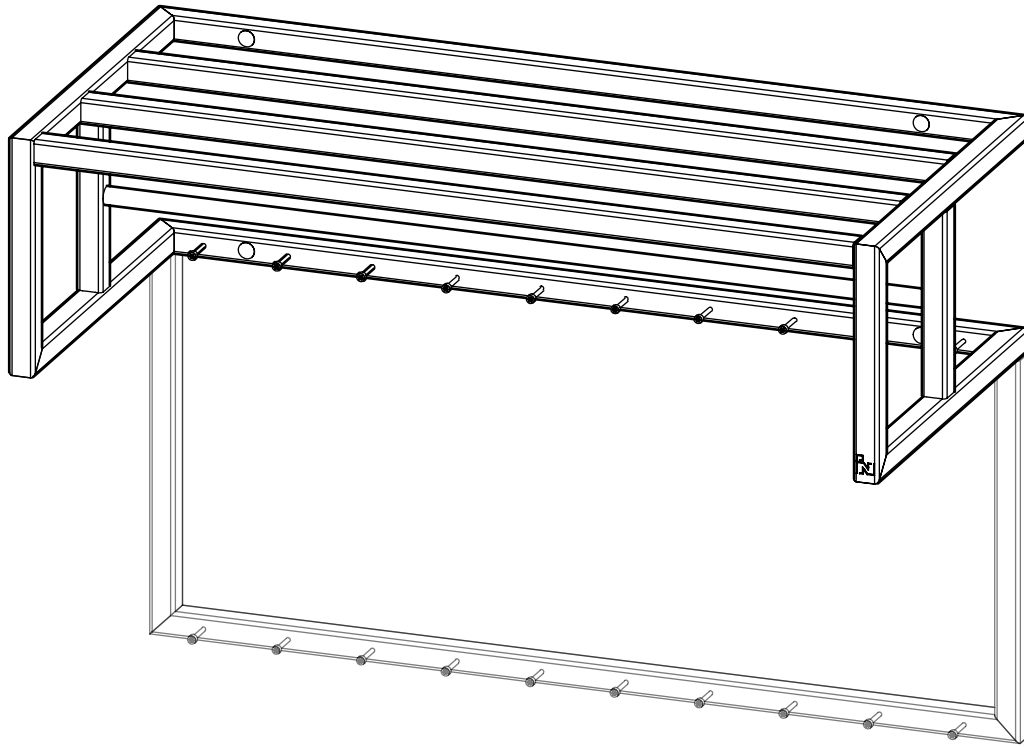
02|Measure length



Measure the width of the niche with a tape measure or tape measure. Use a spirit level when measuring.

It is possible that the walls are not completely straight, so that the sizes are not the same everywhere. Therefore, measure the niche in several places and note the smallest size.

To prevent damage to the wall and to make installation easier, it is advisable to take at least 4 mm off the noted size. _____



If you have any questions about measuring the coat
rack, please send an email to:

Info@indusigns.nl

Indusigns
van ontwerp tot realisatie