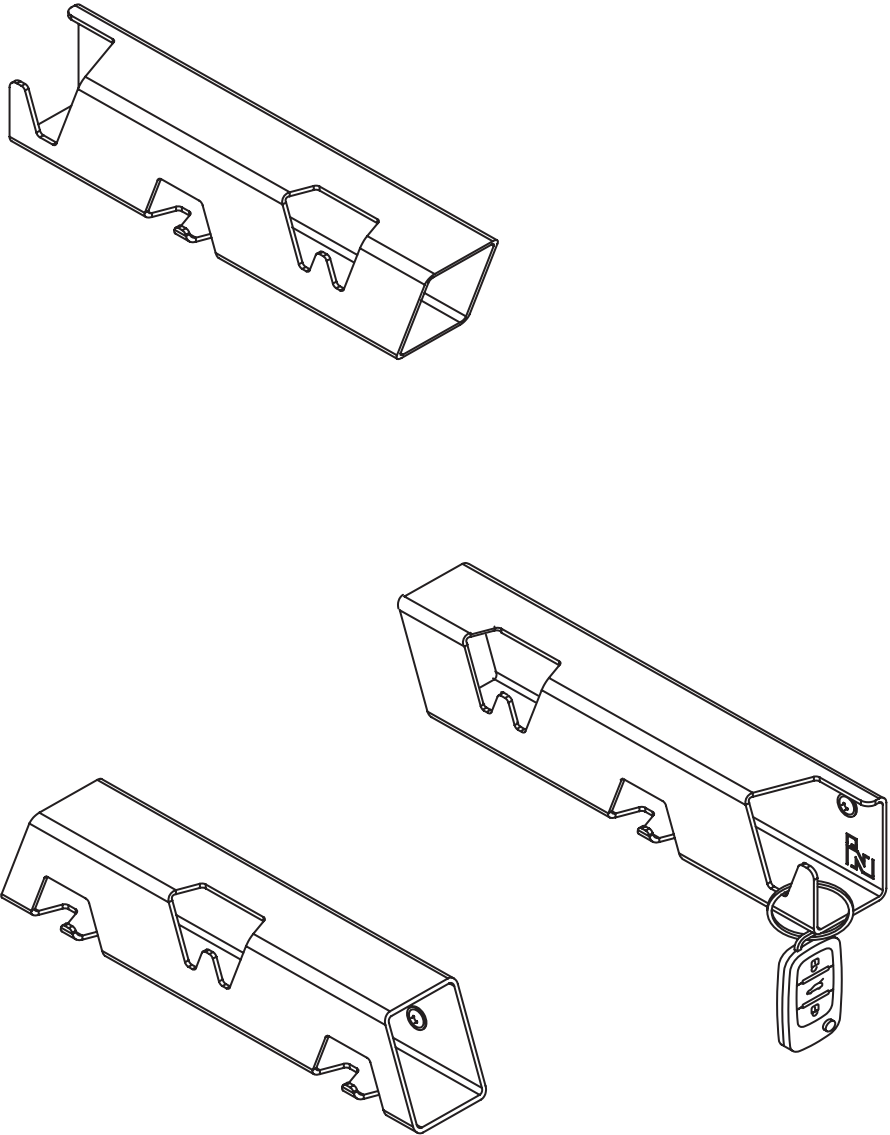


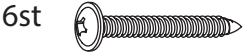
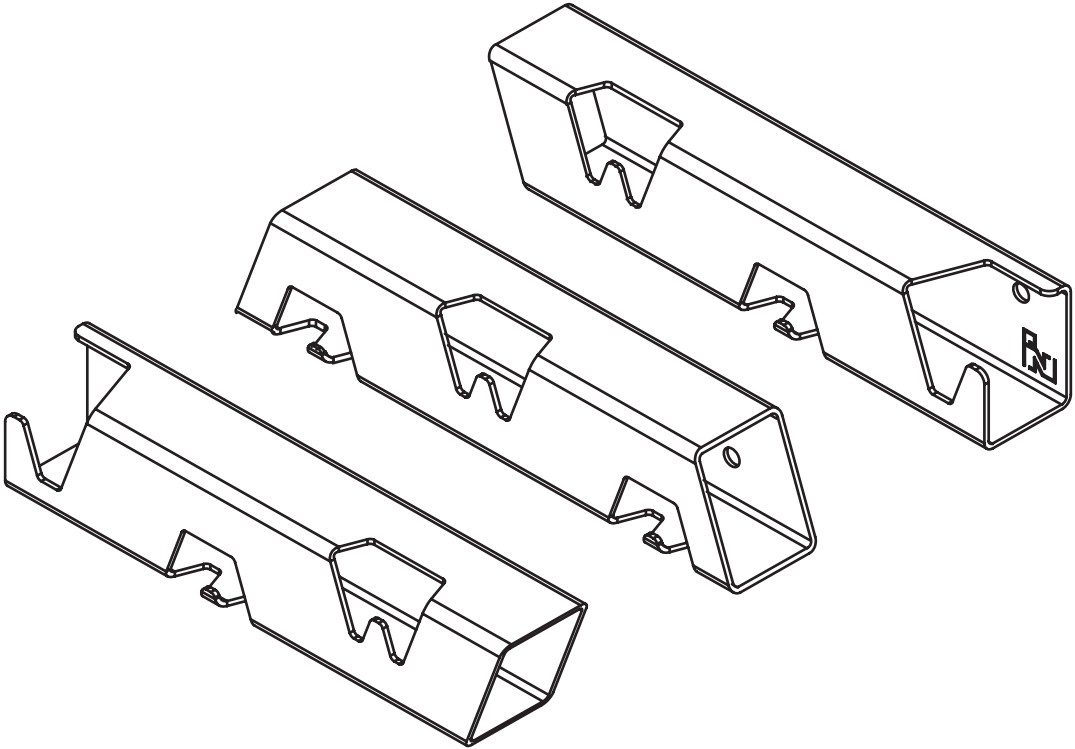


Indusigns

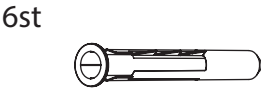


Coat Rack Jack Jr.  
Installation Manual

# Contents



Phillips head screw



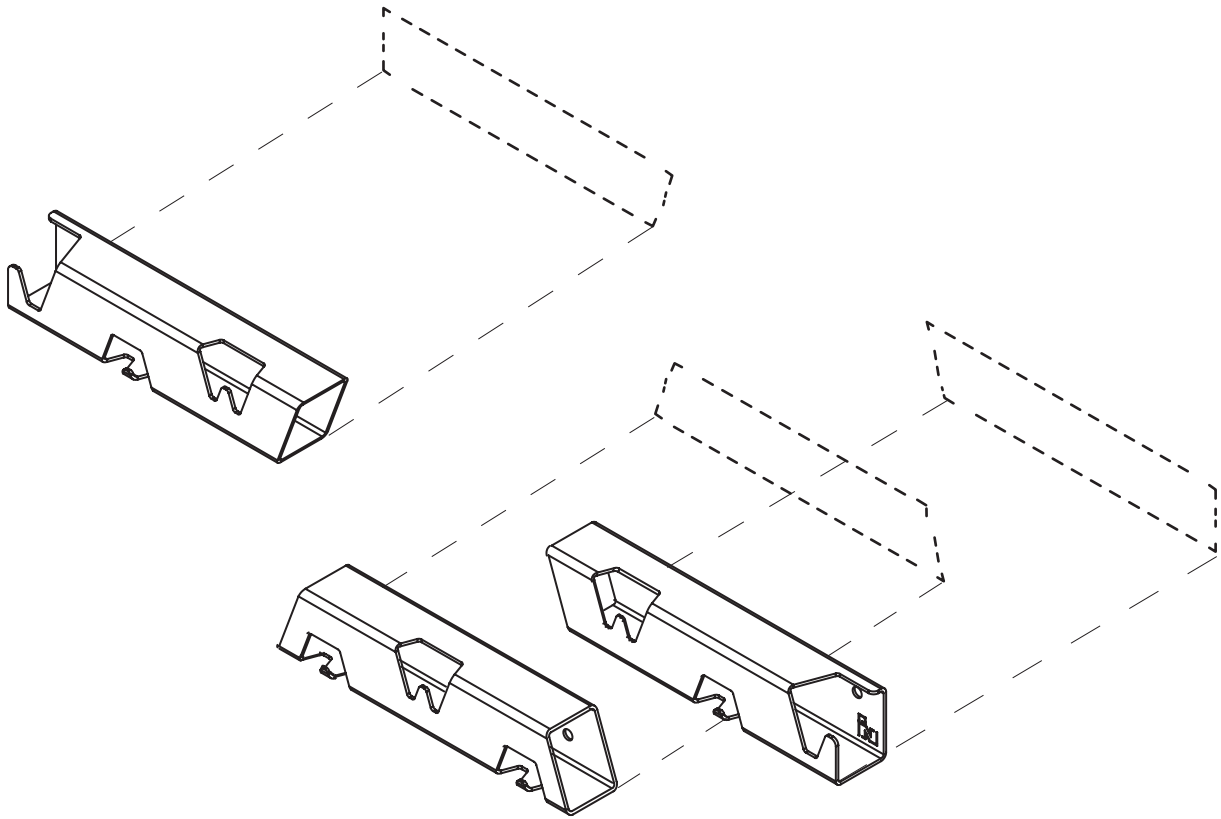
Plug

Supplies

- Pencil
- Level
- (Impact) drill
- Masonry drill Ø6mm
- Screwdriver

## 01 | Determine the position

---

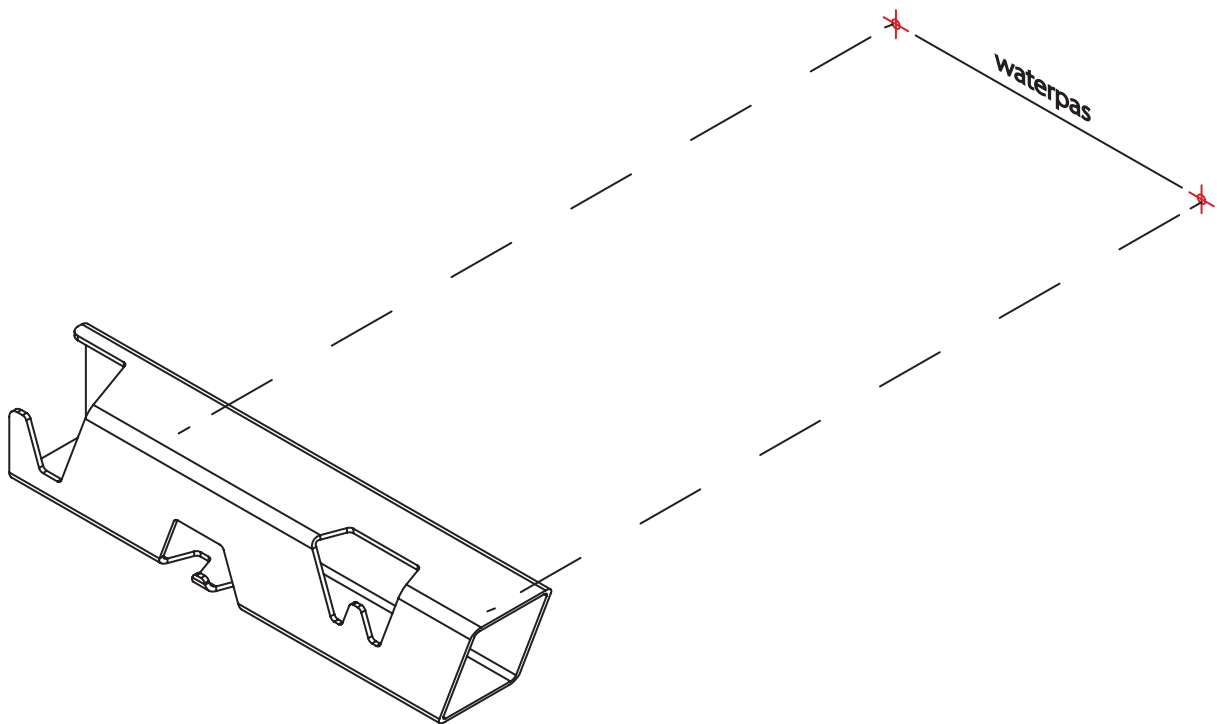


Determine the positions of the three coat hooks.

Tip: Do not hang the coat racks vertically above each other to prevent the coats from hanging over each other.

## 02| Preparation wall

---

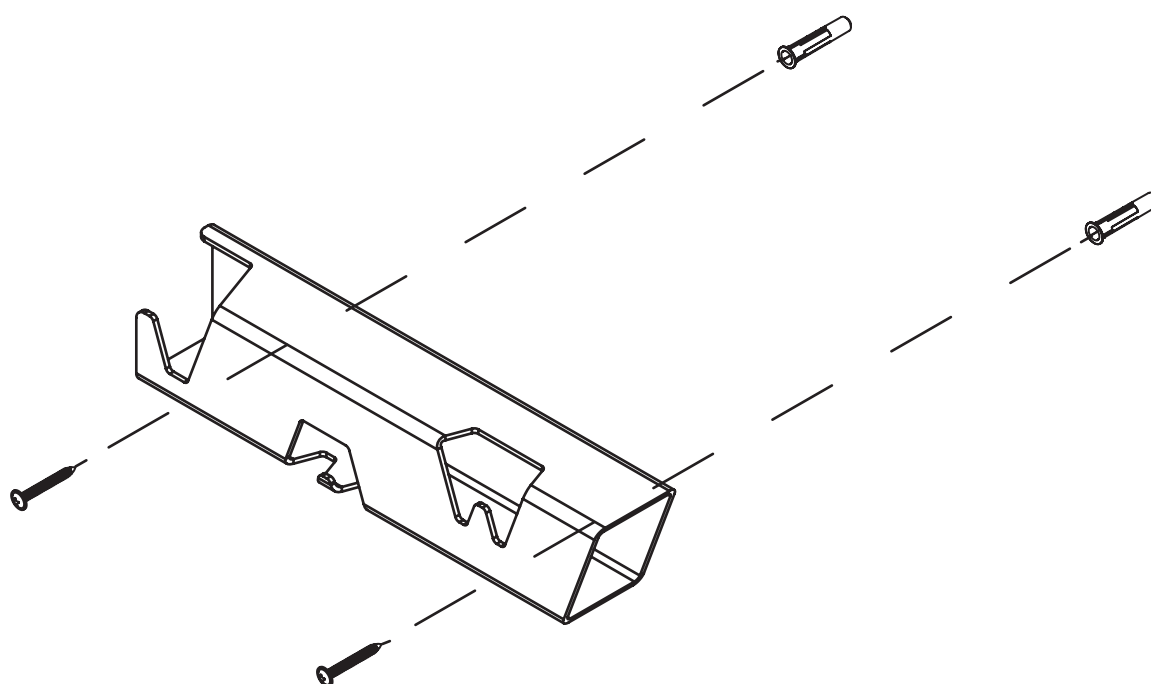


Hold the coat rack against the wall at the desired height and mark the holes at the two positions marked in red.

Make sure that the coat rack hangs level.

## 03| Mounting on the wall

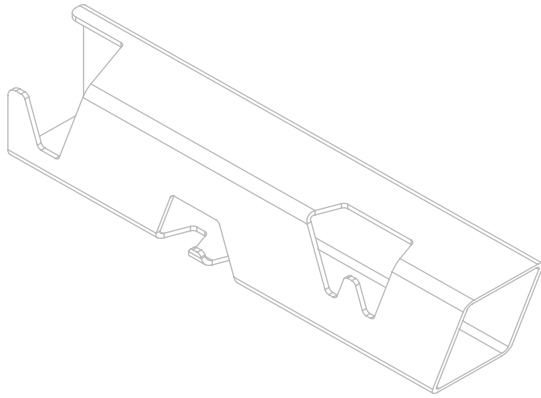
---



Drill the holes at the marked positions.

Add the plugs to the pre-drilled holes.

Secure the coat rack to the wall with the two Phillips head screws. Use a screwdriver for this.



Thank you for your purchase!

Have fun with your coat rack Jack Jr.



# Indusigns

van ontwerp tot realisatie