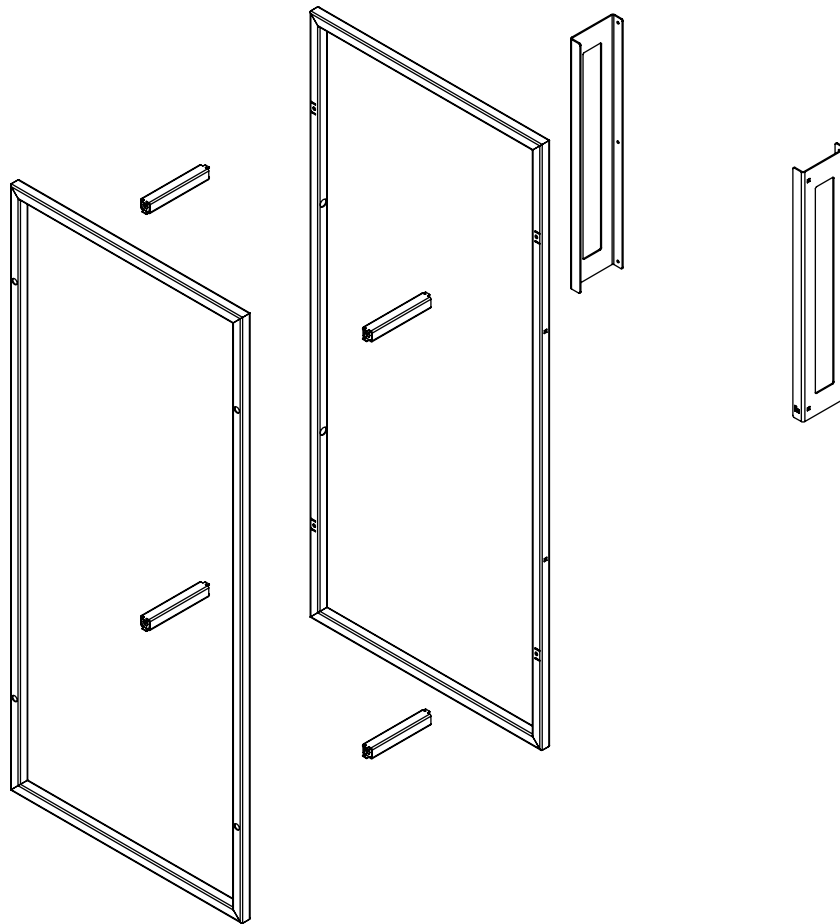
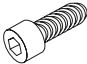


## Firewood rack Fyre L

Installation Manual


# Contents



8st  Bolt

6st  lag screw

4st  Lock bolt

6st  Plug

4st  Coupling nut

6st  Sealing cap

4st  Sealing cap large

## Supplies

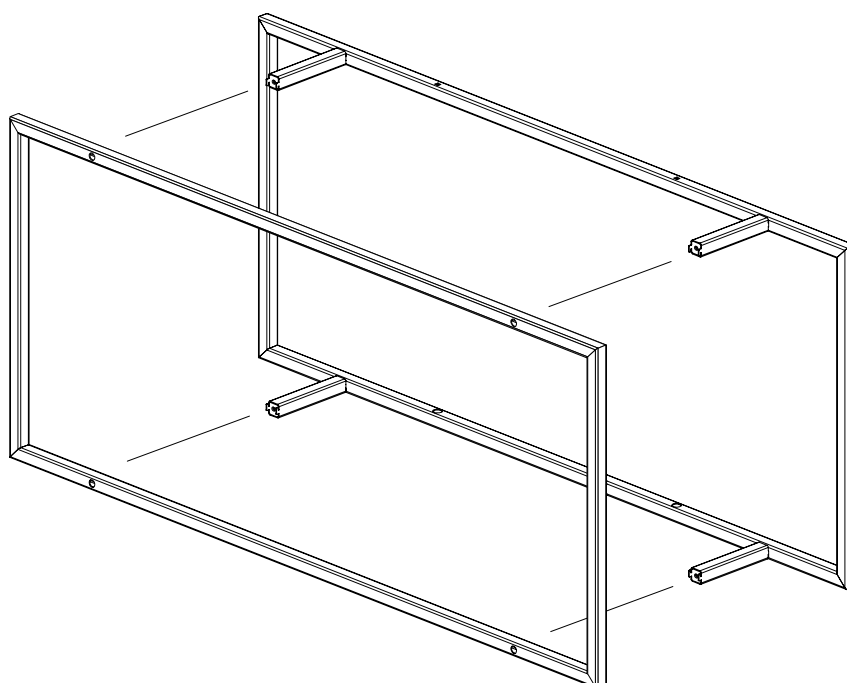
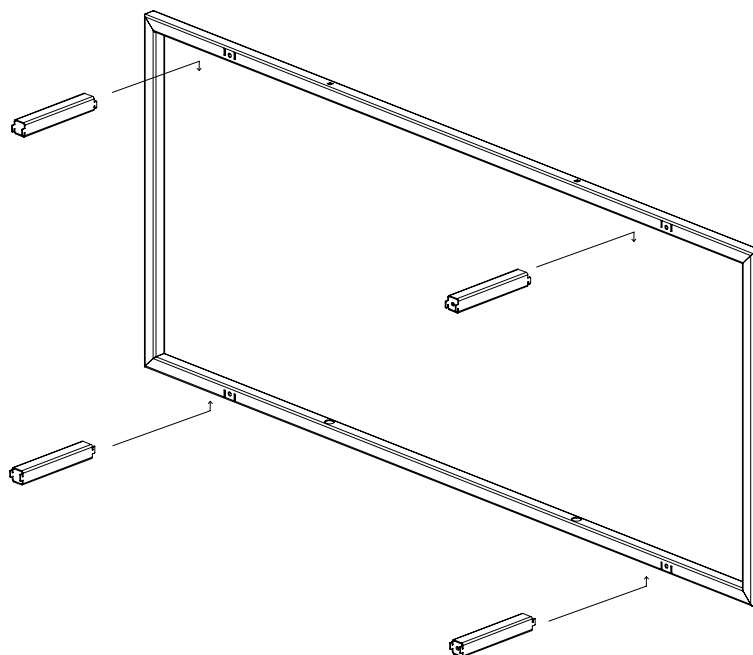
8st  Sealing cap small

- Pencil
- Level
- Allen key
- Impact drill
- Stone drill Ø10mm
- Socket wrench 10&13

## 01| Pre-assembly

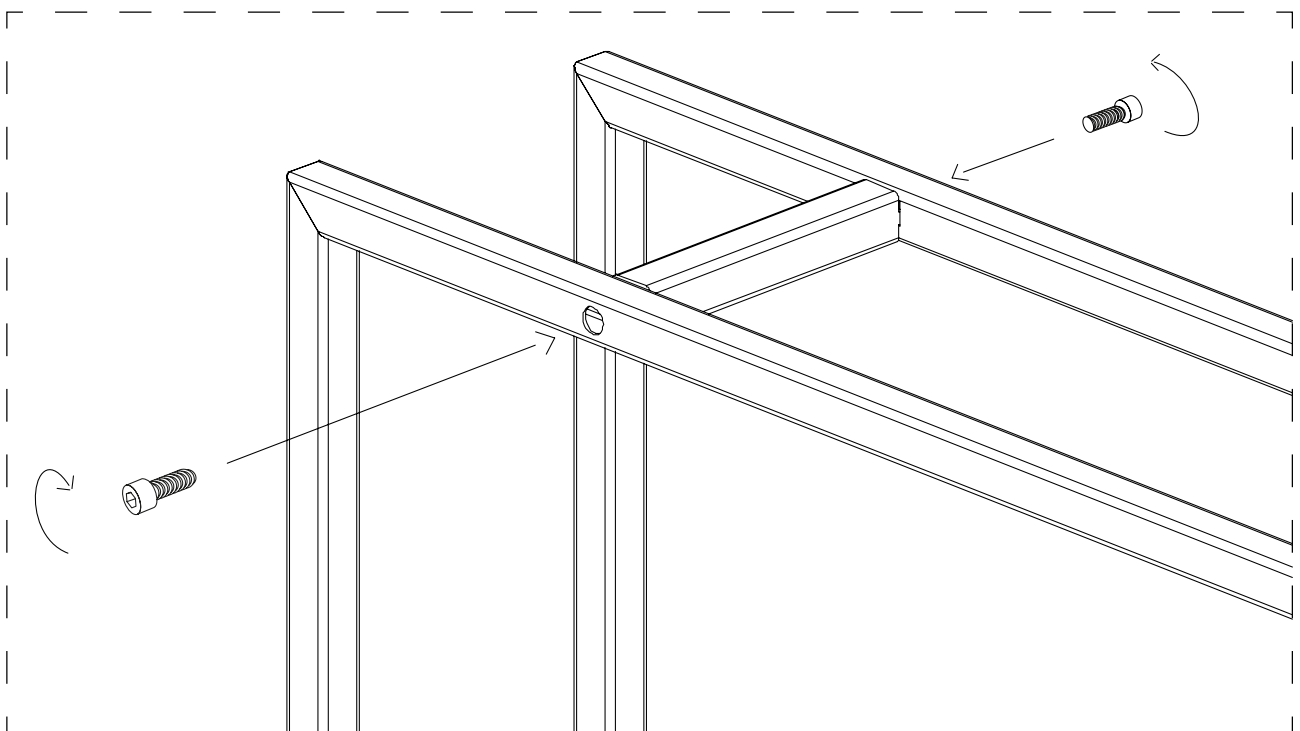
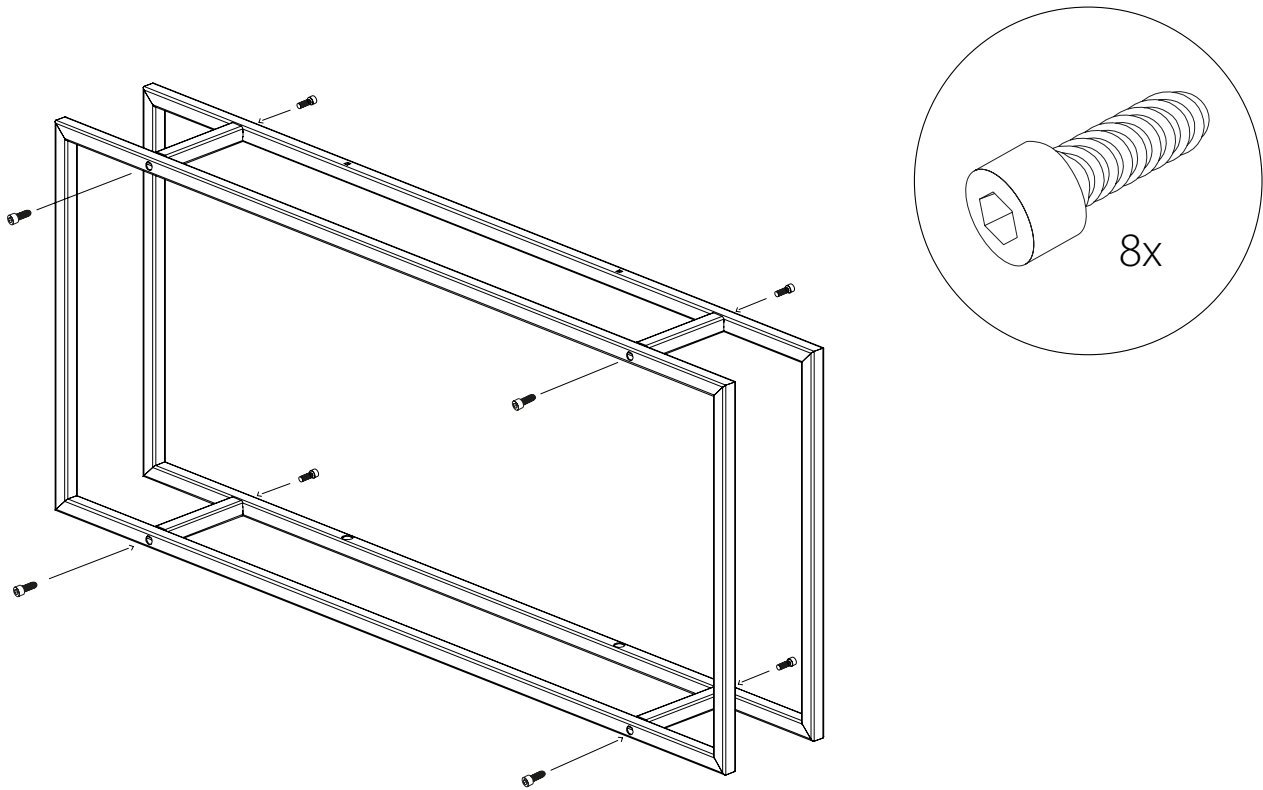
---

Use a soft surface during installation to avoid damage

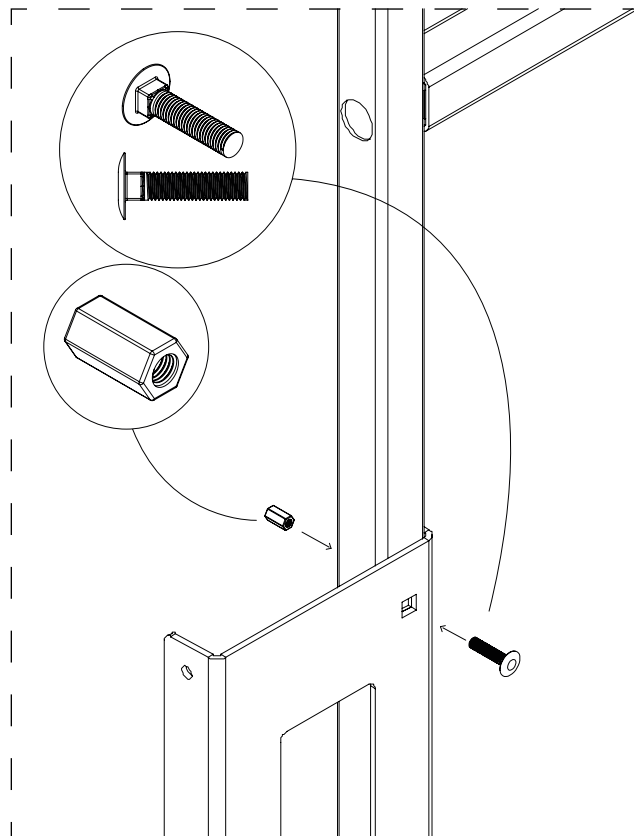
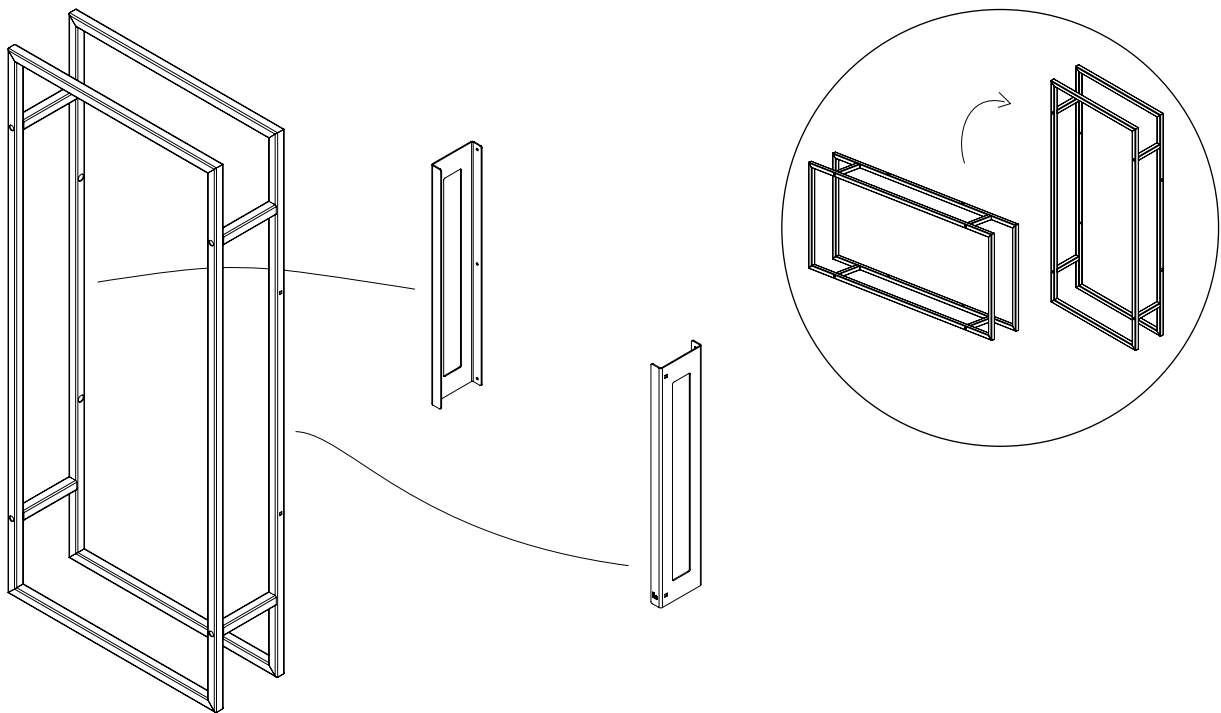




## 02| Installation



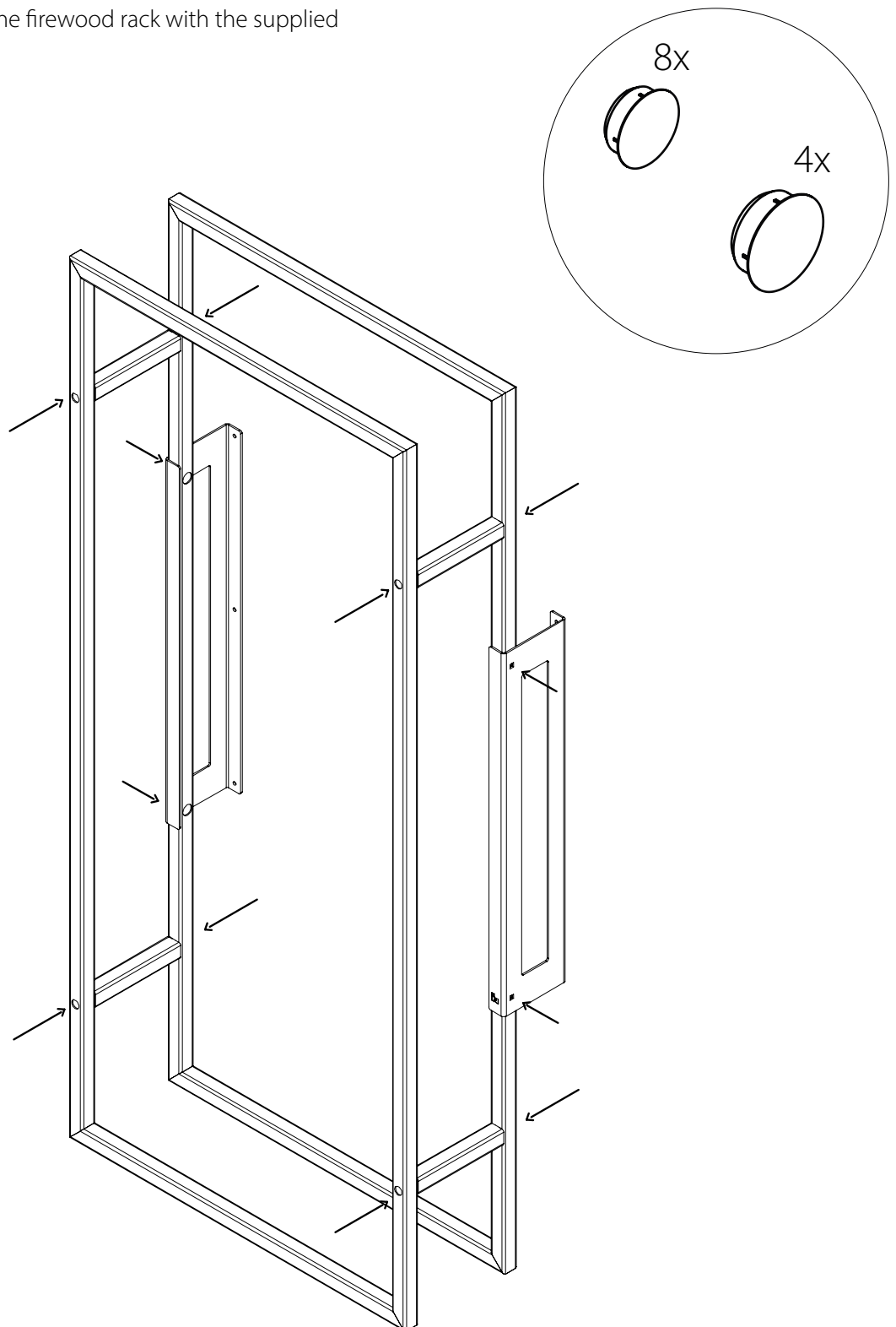
## 03| Mounting brackets



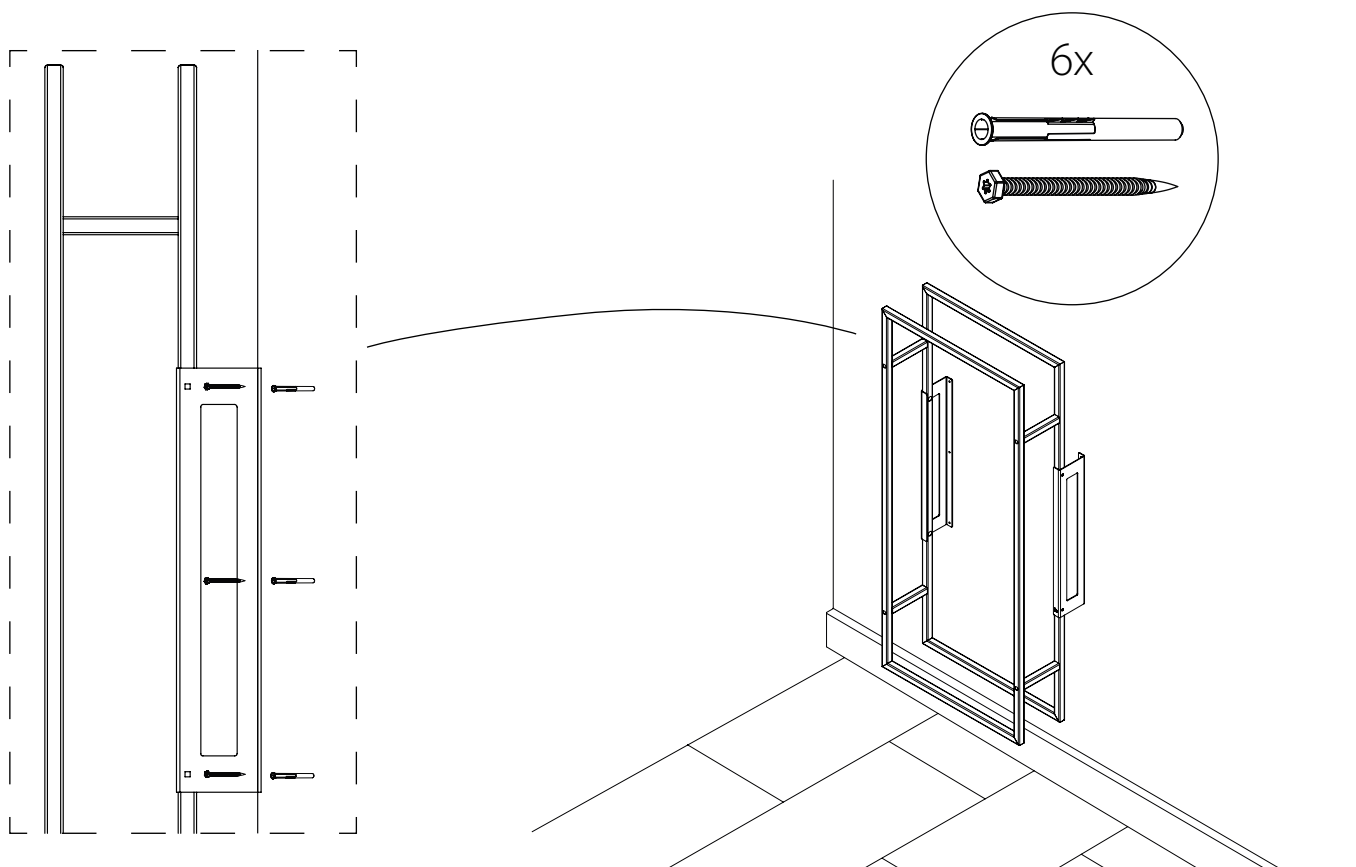
## 04| Sealing caps

---

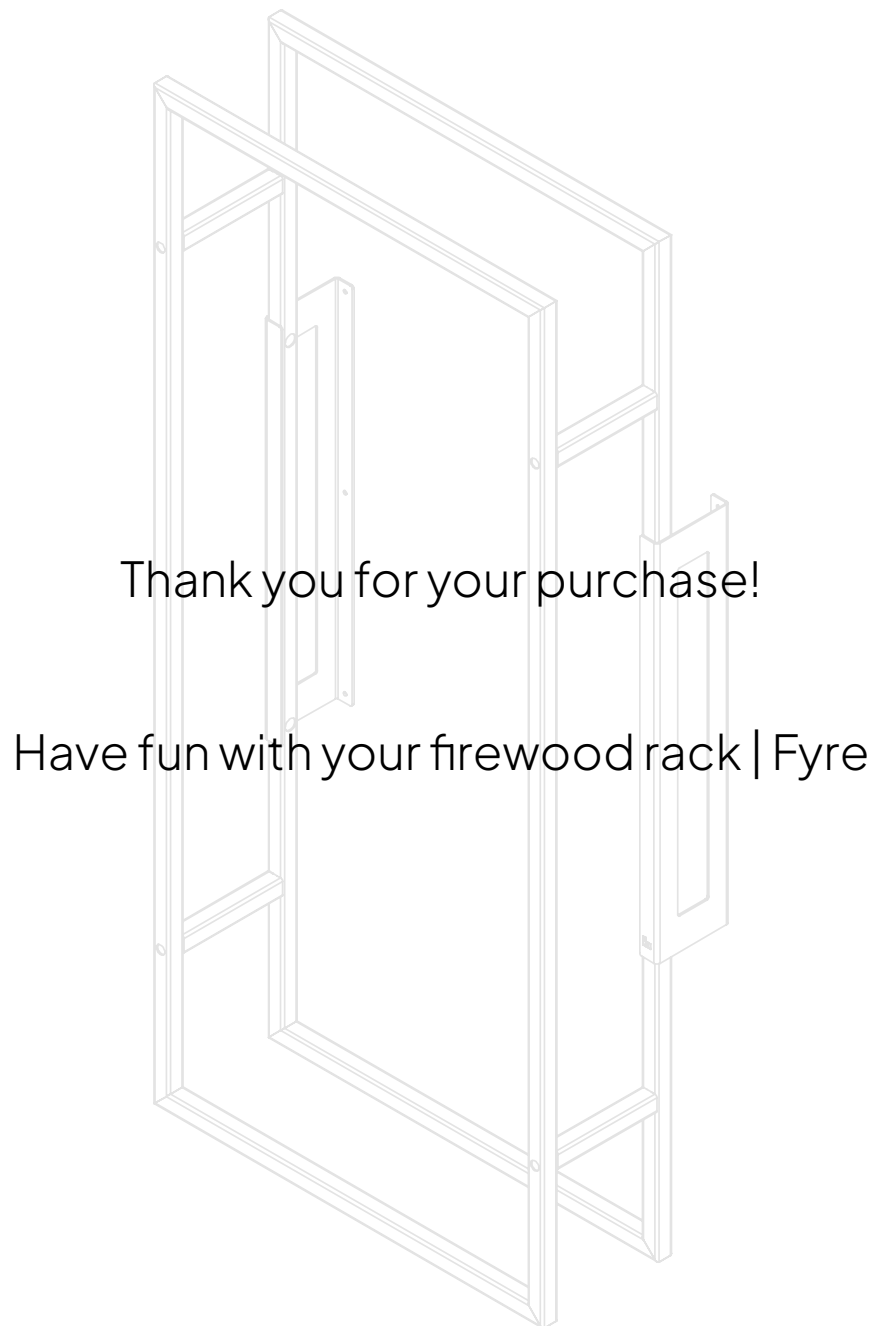
Cover the holes in the firewood rack with the supplied sealing caps



## 05| Mounting on the wall



1. Position the firewood rack against the wall on the desired place.
2. Use a spirit level to ensure that the firewood rack hangs straight.
3. Mark the 6 positions (holes in the brackets) on the wall. Use a pencil or marker for this.
4. Remove the firewood rack from the wall.
5. Drill the holes with a  $\text{Ø}10\text{mm}$  masonry drill, 40mm deep using an impact drill.
6. Place the 6 supplied plugs in the drilled holes.
7. Reposition the firewood rack in the correct position.
8. Fix the firewood rack with the 6 supplied lag bolts using a 10&13mm socket wrench. Tighten the bolts properly!



Thank you for your purchase!

Have fun with your firewood rack | Fyre

# Indusigns

van ontwerp tot realisatie