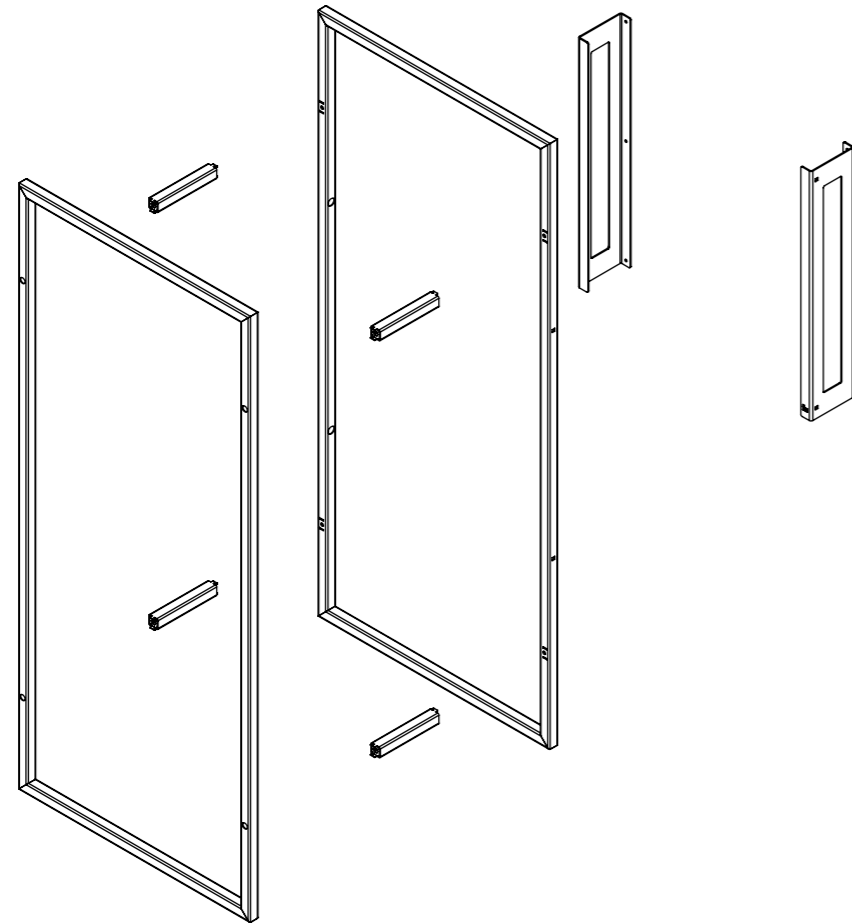


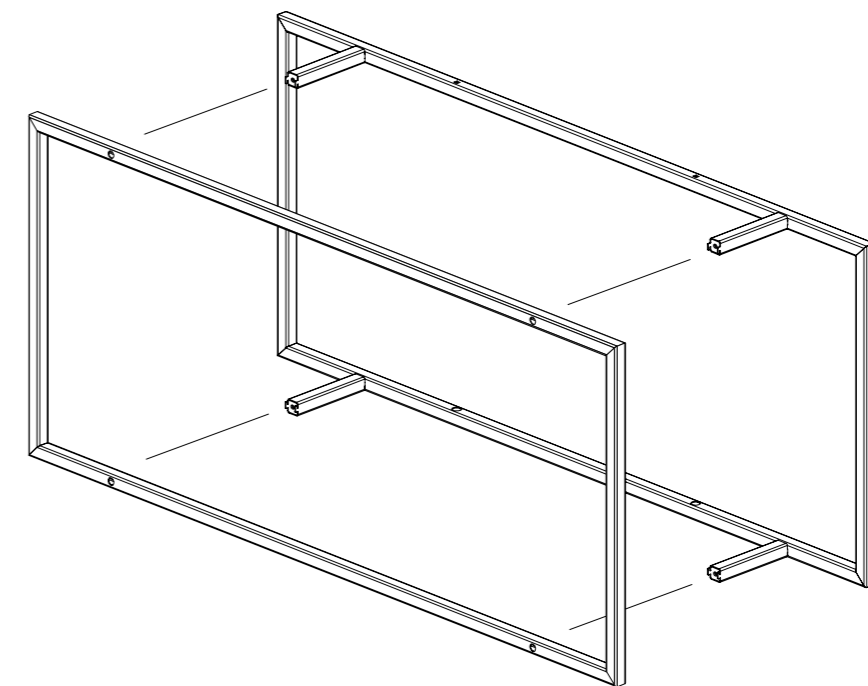
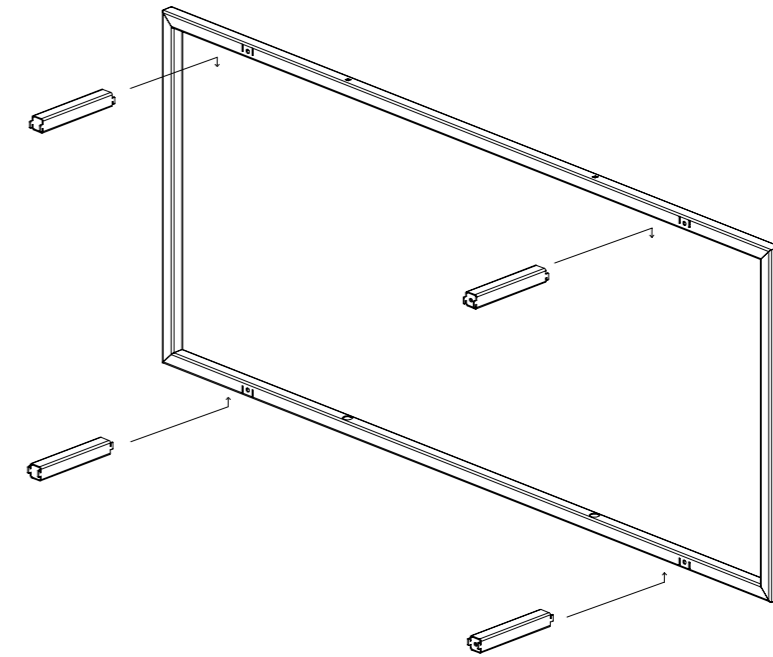
Firewood rack Fyre L

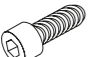



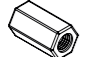


Installation Manual

01| Pre-assembly

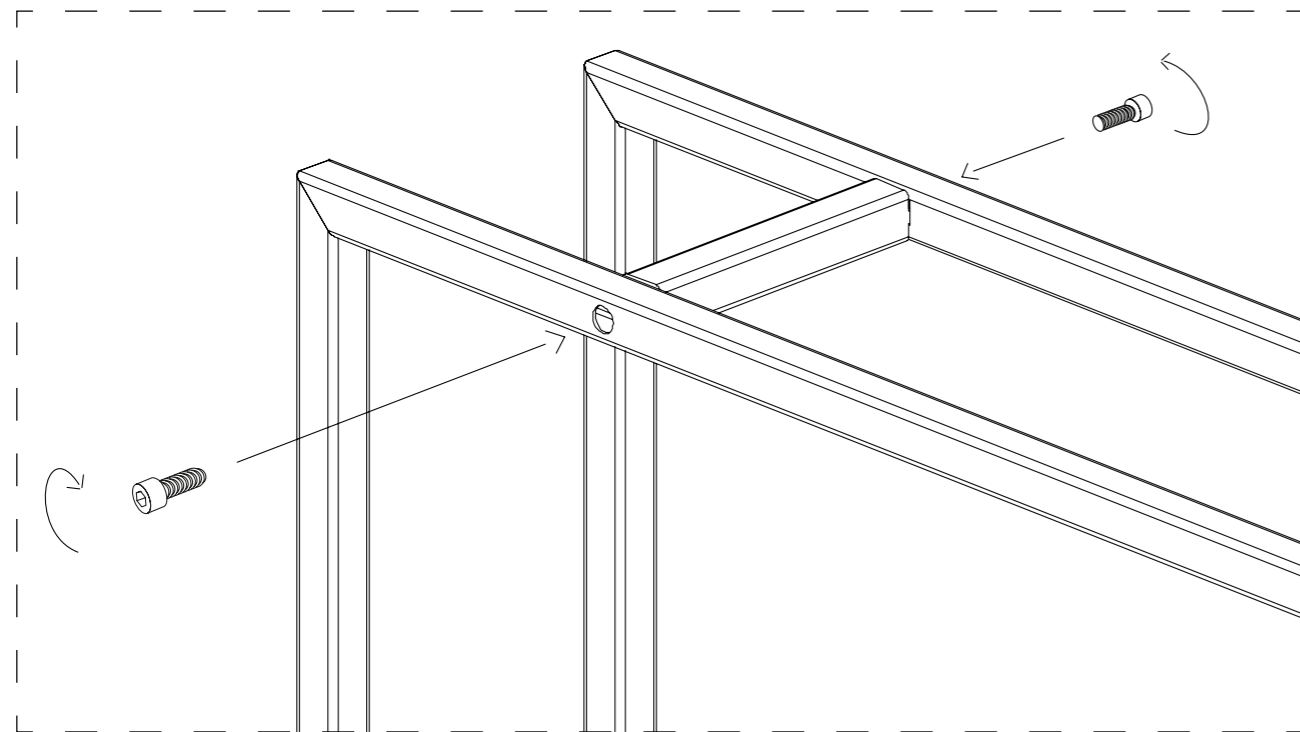
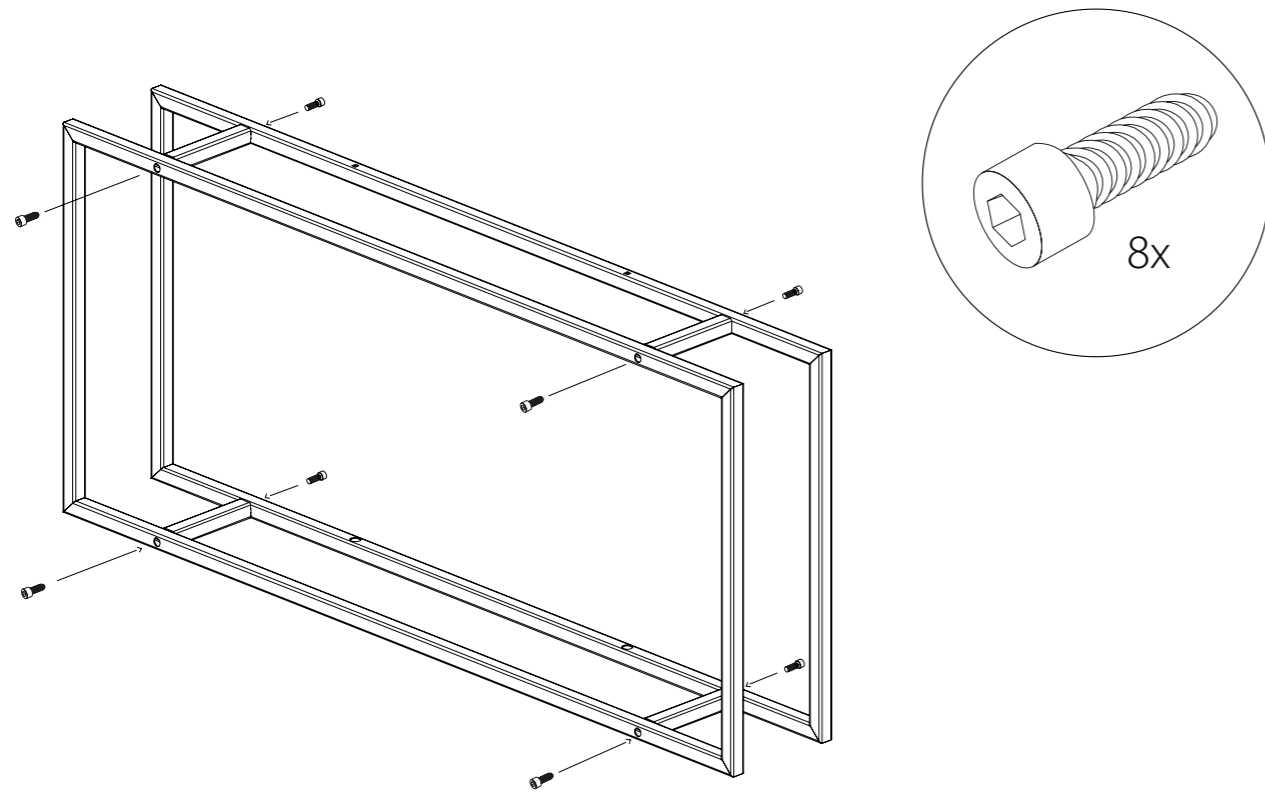


Use a soft surface during installation to avoid damage

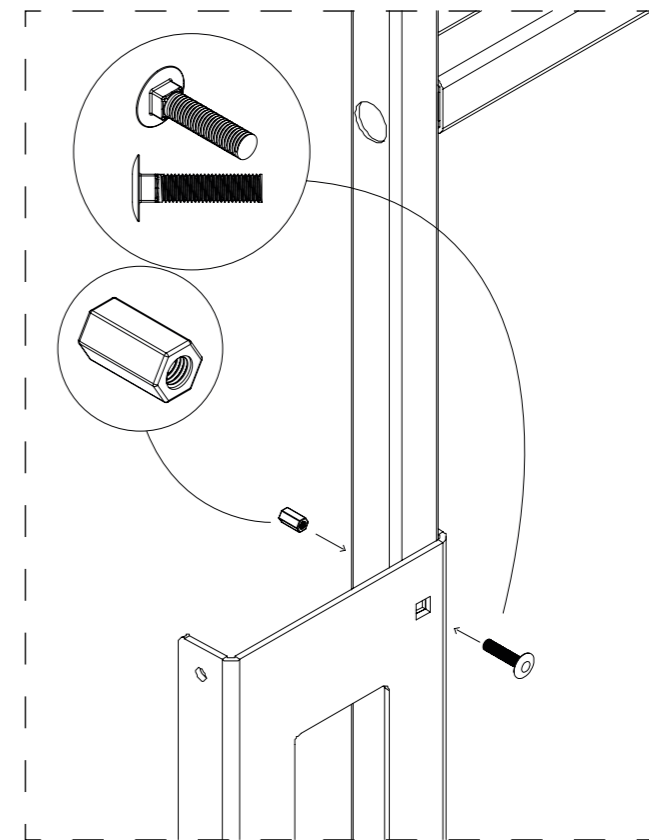
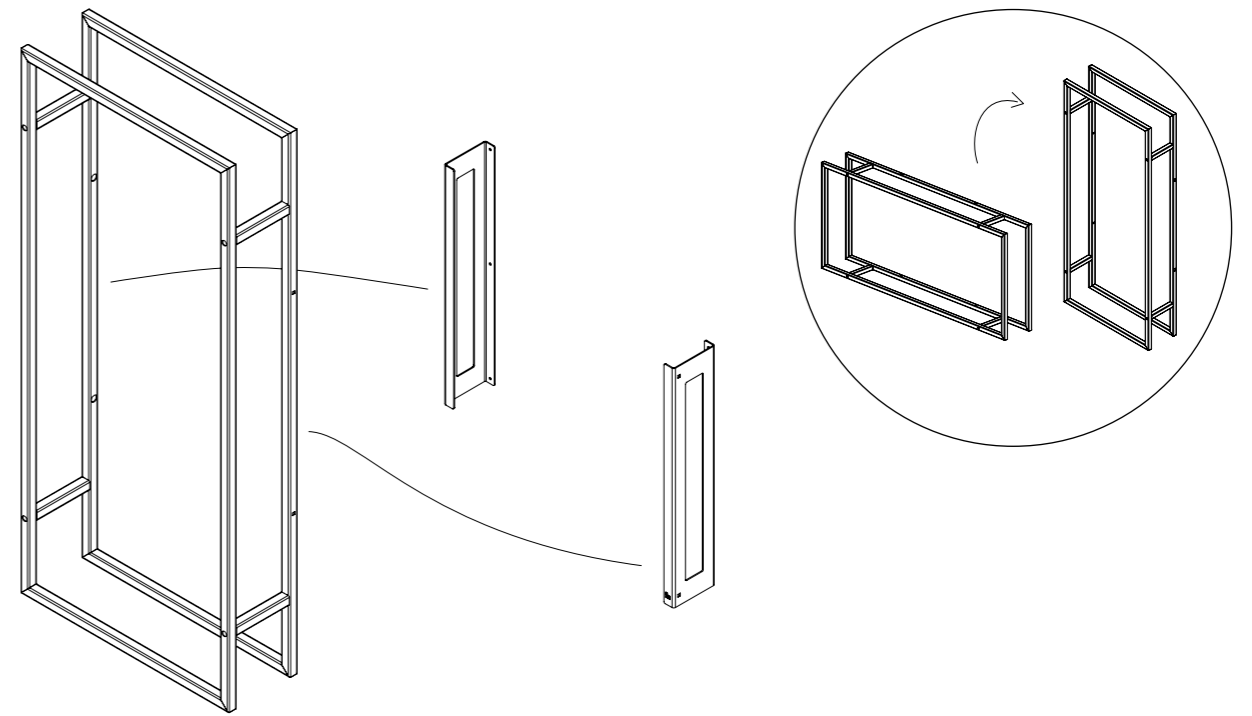


- | | | | | | |
|-----|---|-------------------|--------------------|--|-----------|
| 8st |  | Bolt | 6st |  | lag screw |
| 4st |  | Lock bolt | 6st |  | Plug |
| 4st |  | Coupling nut | Supplies | | |
| 8st |  | Sealing cap large | - Pencil | | |
| 4st |  | Sealing cap small | - Level | | |
| | | | - Allen key | | |
| | | | - Impact drill | | |
| | | | - Stone drill Ø8mm | | |
| | | | - Socket wrench 13 | | |

02| Installation



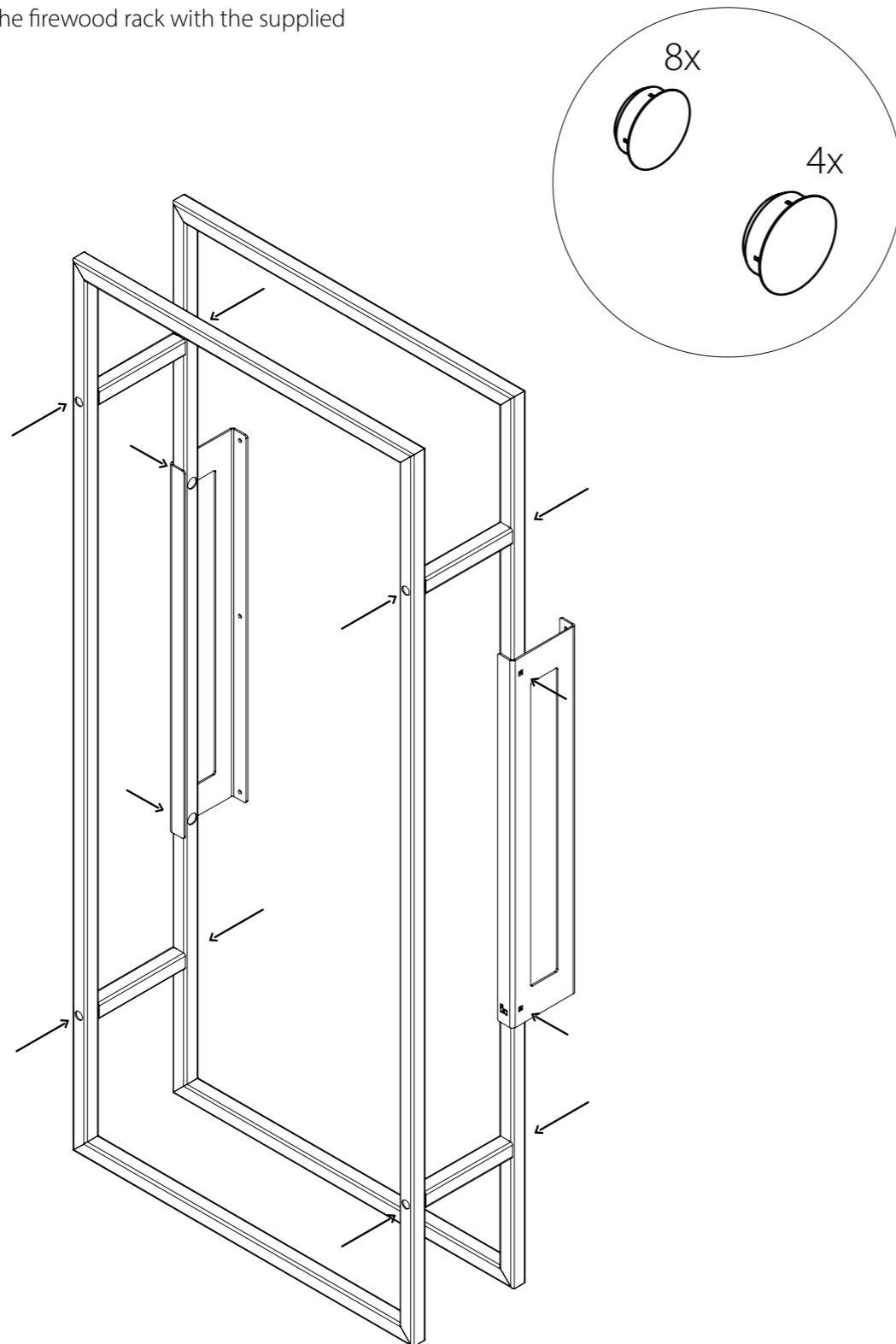
03| Mounting brackets



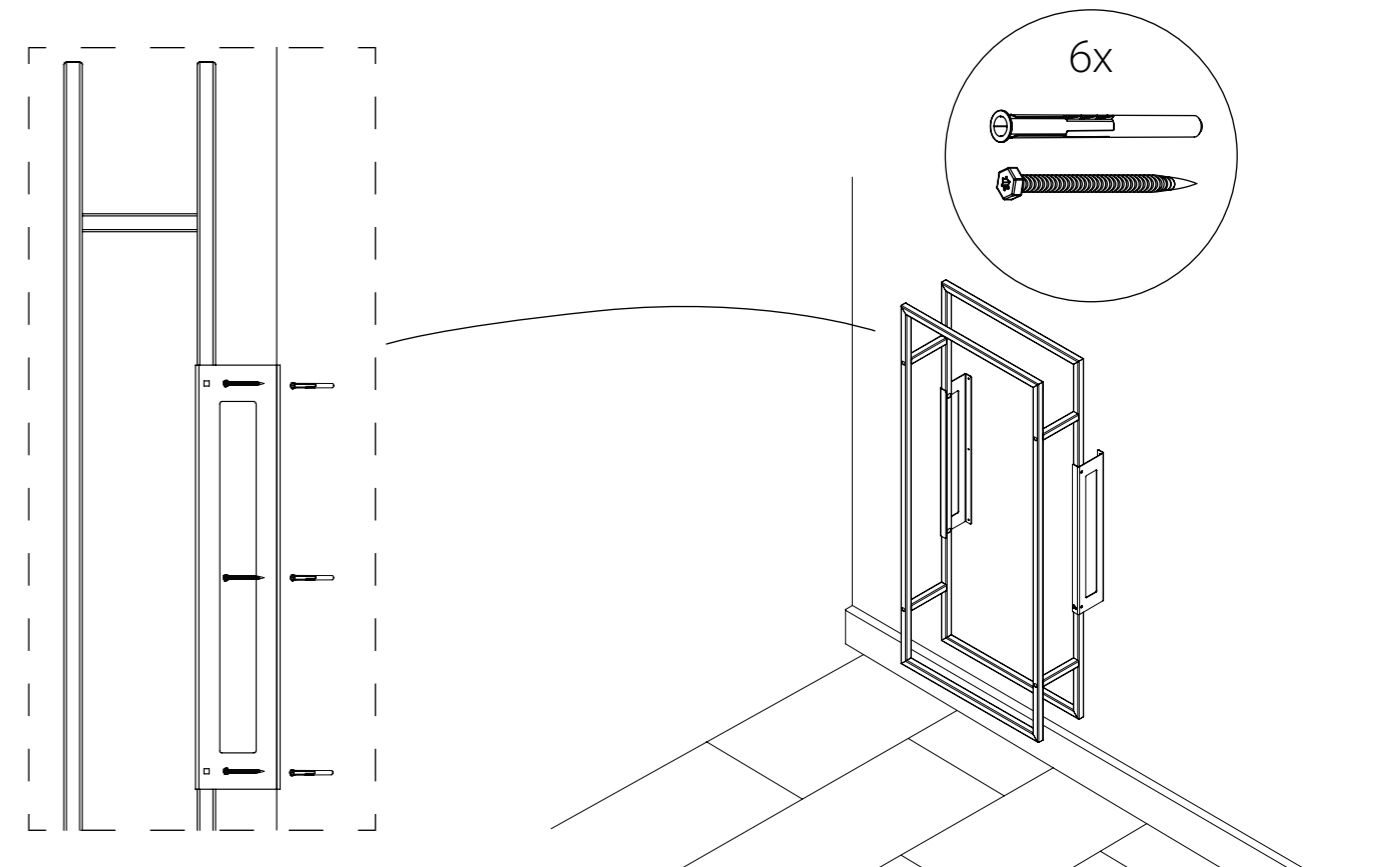
04| Sealing caps



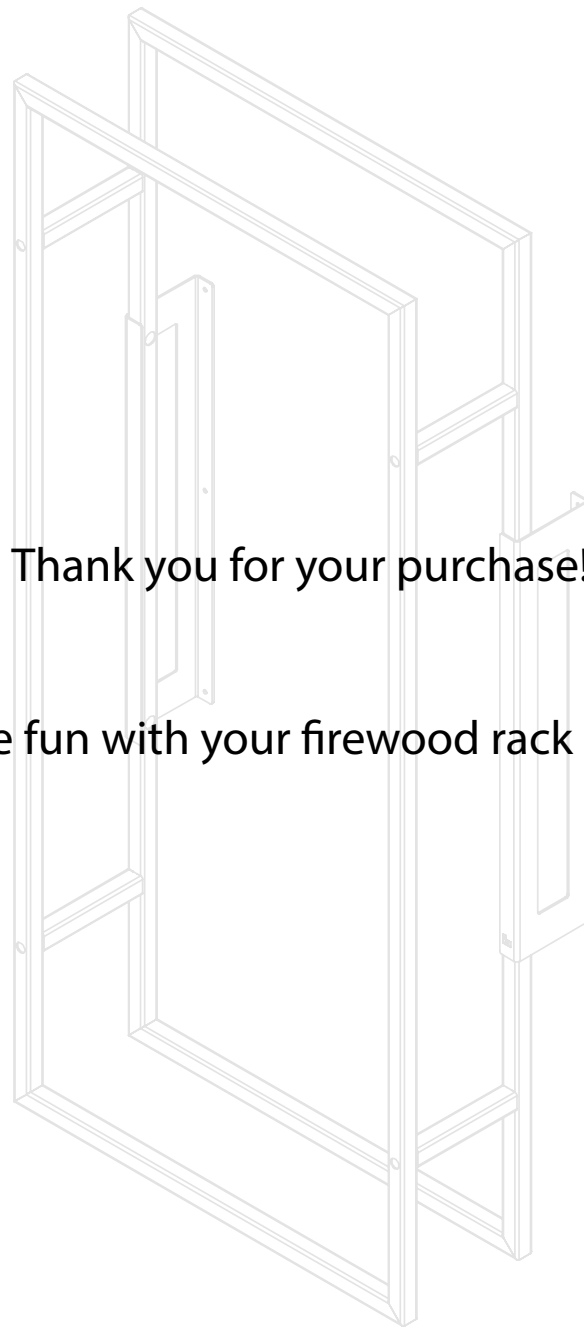
Cover the holes in the firewood rack with the supplied sealing caps



05| Mounting on the wall



1. Position the firewood rack against the wall on the desired place.
2. Use a spirit level to ensure that the firewood rack hangs straight.
3. Mark the 6 positions (holes in the brackets) on the wall. Use a pencil or marker for this.
4. Remove the firewood rack from the wall.
5. Drill the holes with a Ø8mm masonry drill, 40mm deep using an impact drill.
6. Place the 6 supplied plugs in the drilled holes.
7. Reposition the firewood rack in the correct position.
8. Fix the firewood rack with the 6 supplied lag bolts using a 13mm socket wrench. Tighten the bolts properly!



Thank you for your purchase!

Have fun with your firewood rack | Fyre

Indusigns

van ontwerp tot realisatie