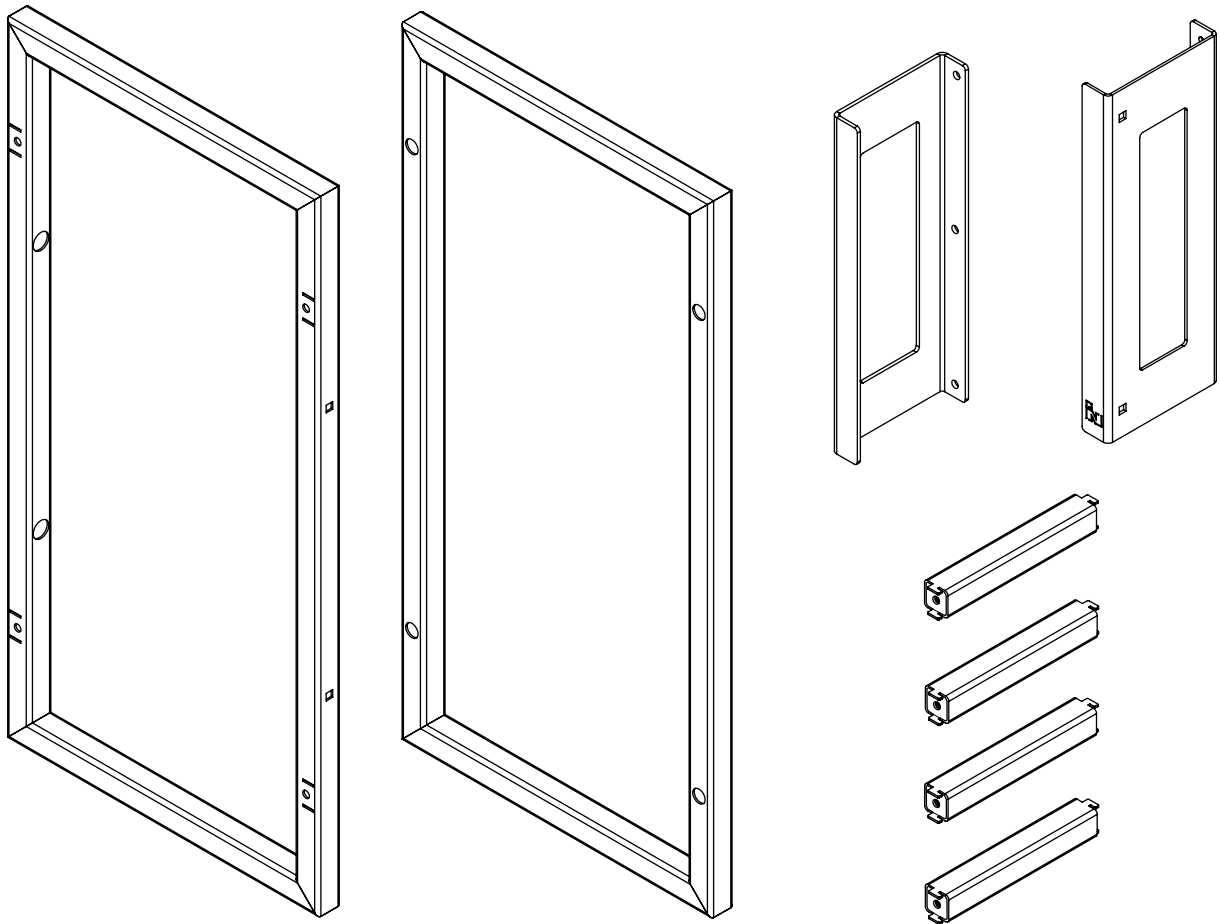
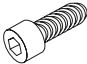


Firewood rack Fyre S

Installation manual


Contents of the pack-



8st  Bolt

6st  Lag screw

4st  Carriage bolt

6st  Plug

4st  Coupling nut

6st  Sealing cap

4st  Sealing cap large

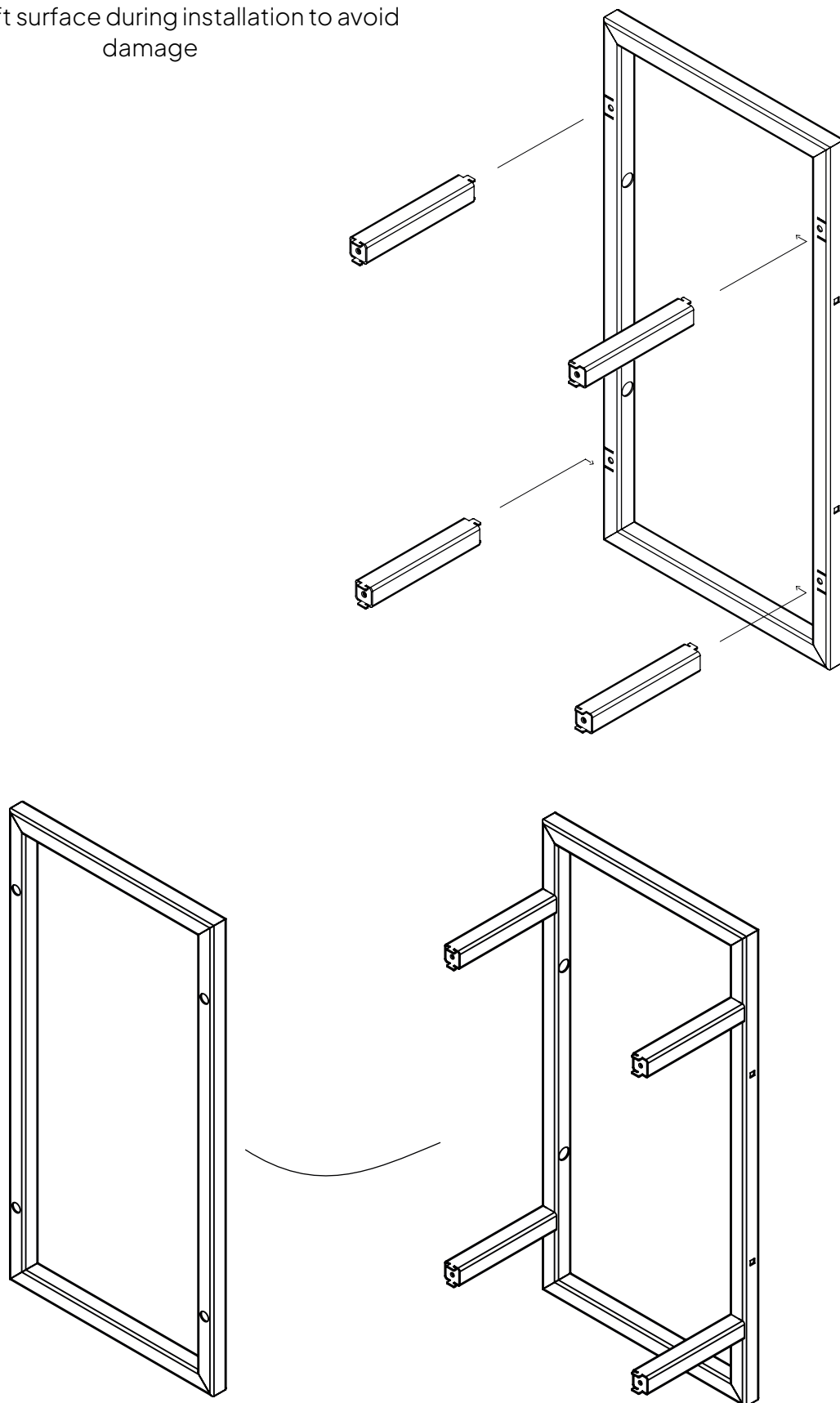
Supplies

8st  Sealing cap small

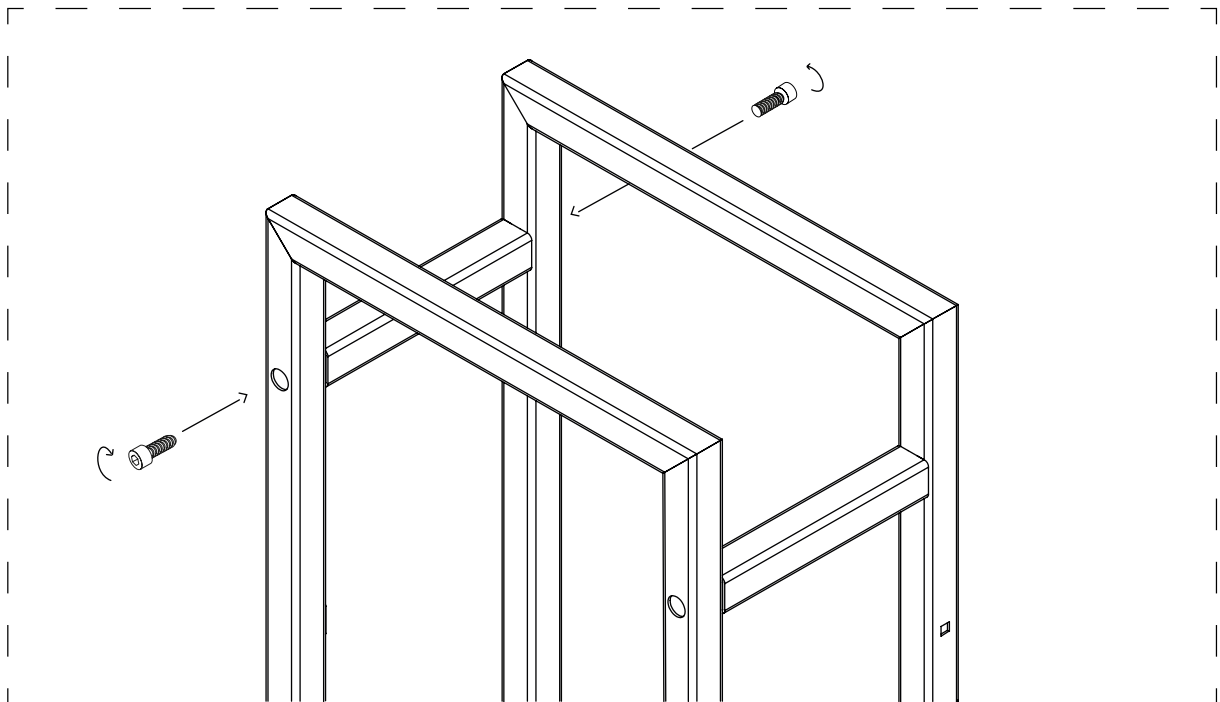
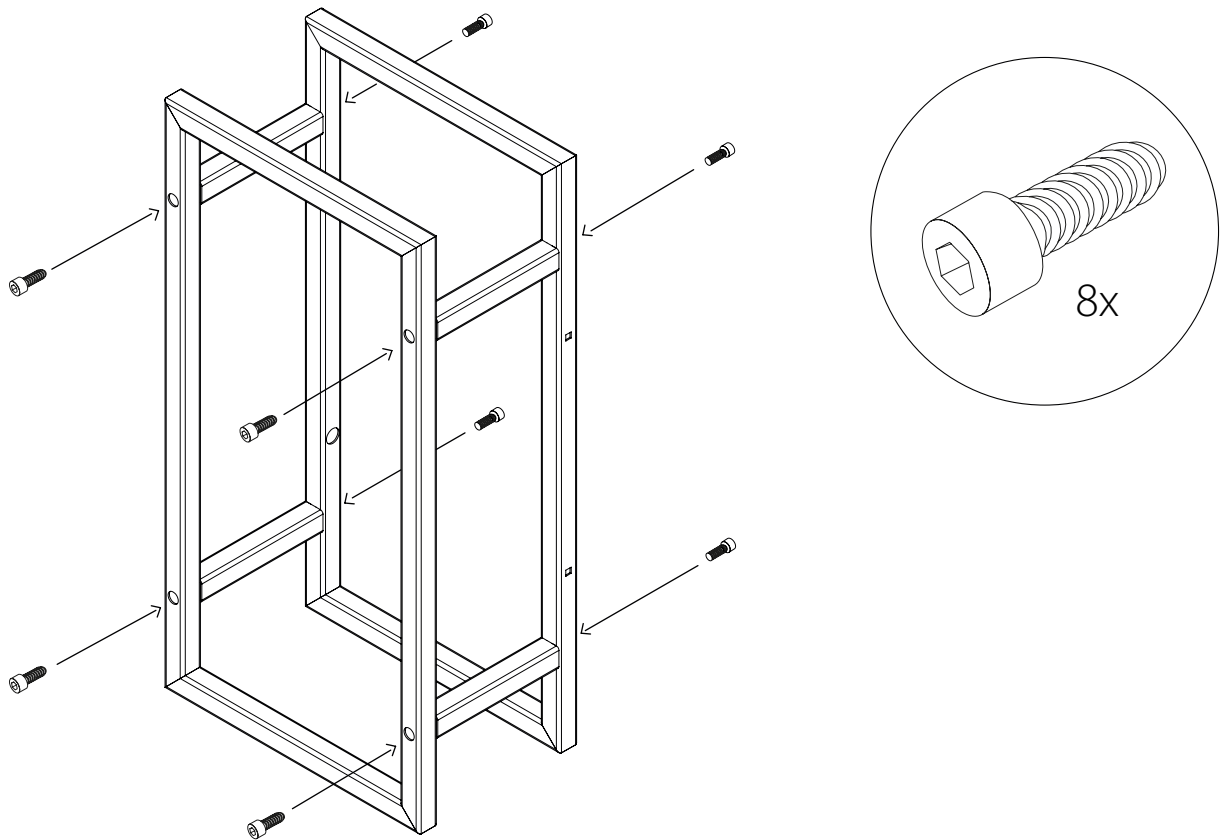
- Pencil
- Level
- Allen wrench
- Impact drill
- Masonry drill Ø10mm
- Socket wrench 10&13

01| Pre-assembly

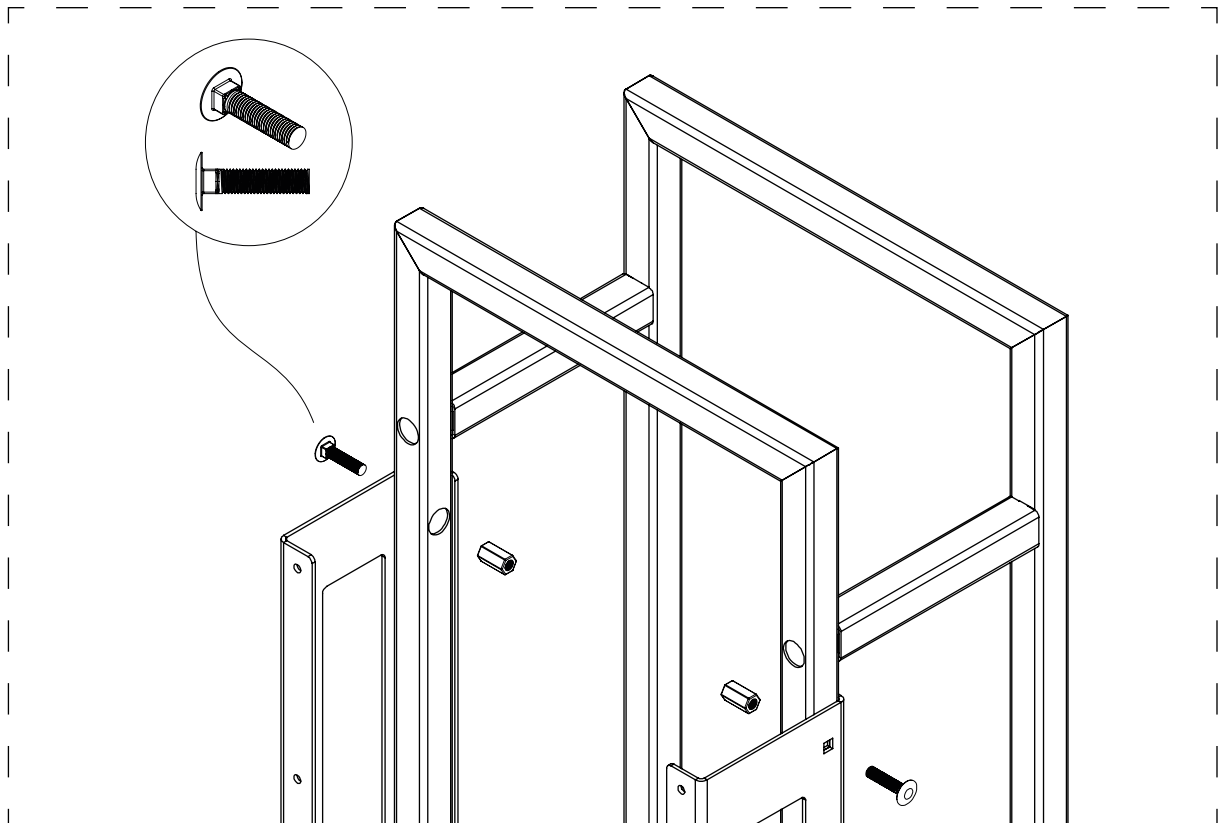
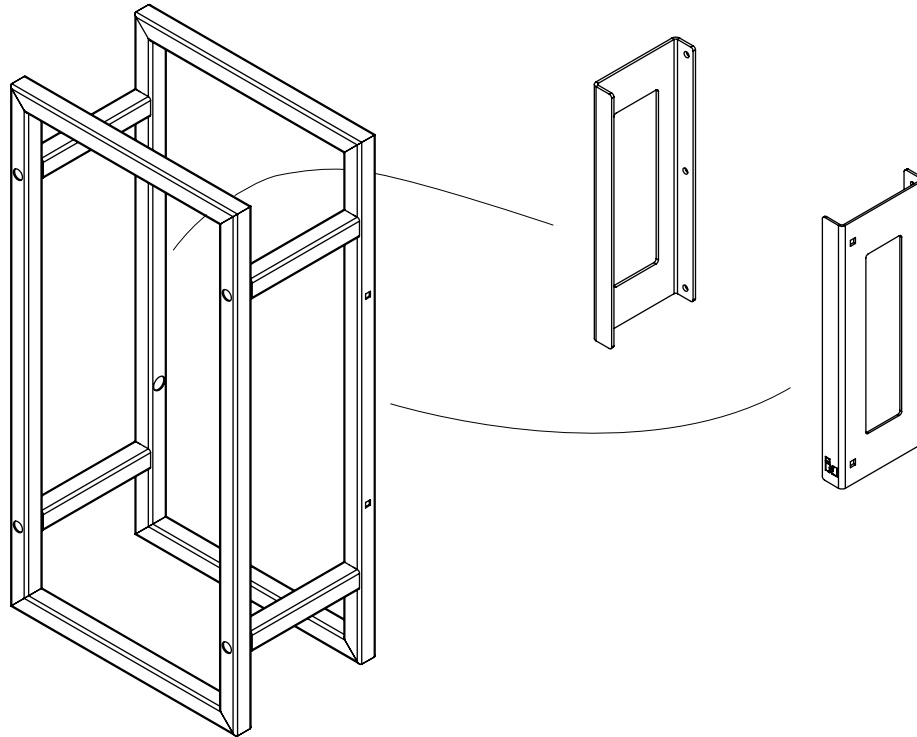
Use a soft surface during installation to avoid damage



02| Installation

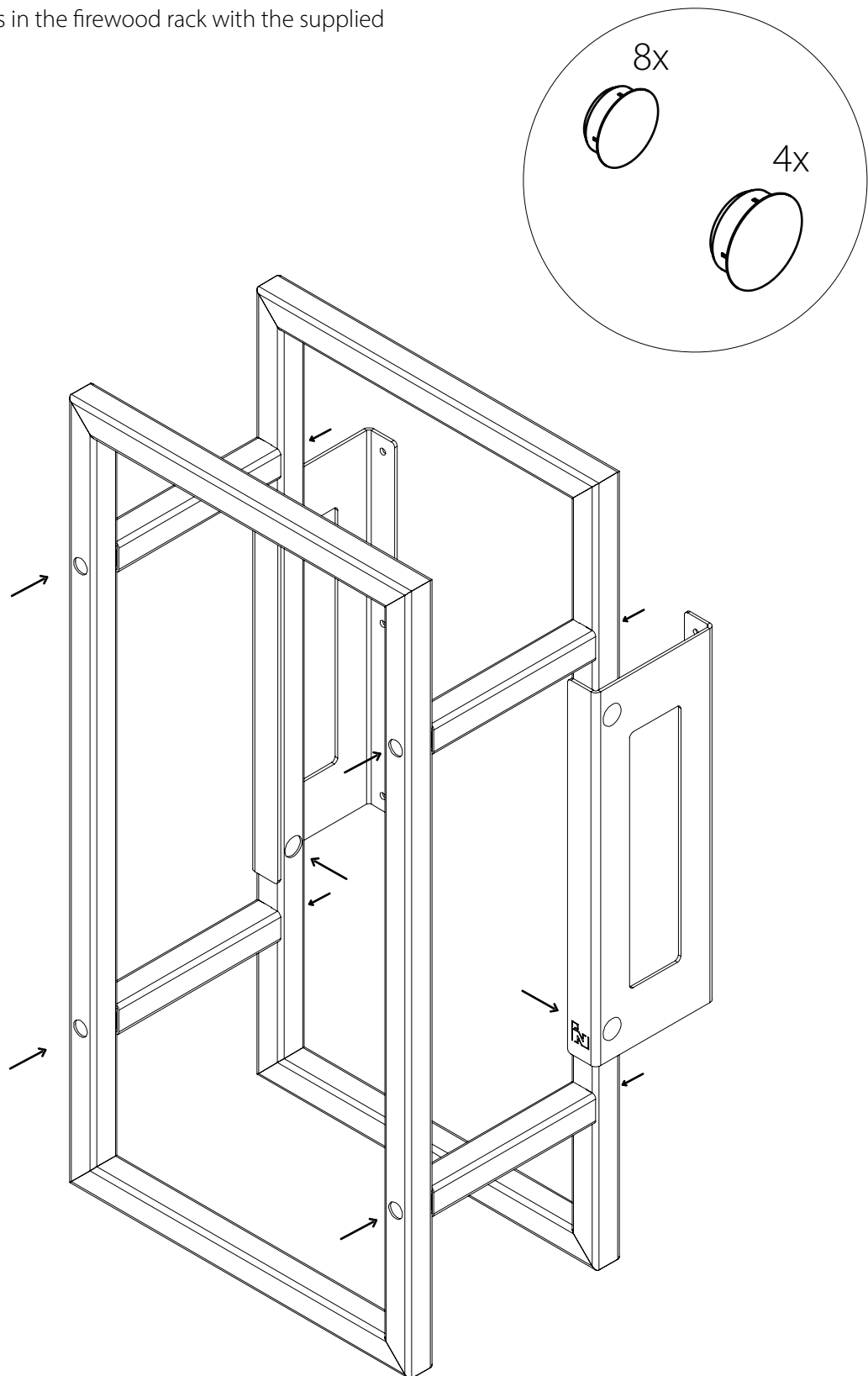


03| Mounting brackets

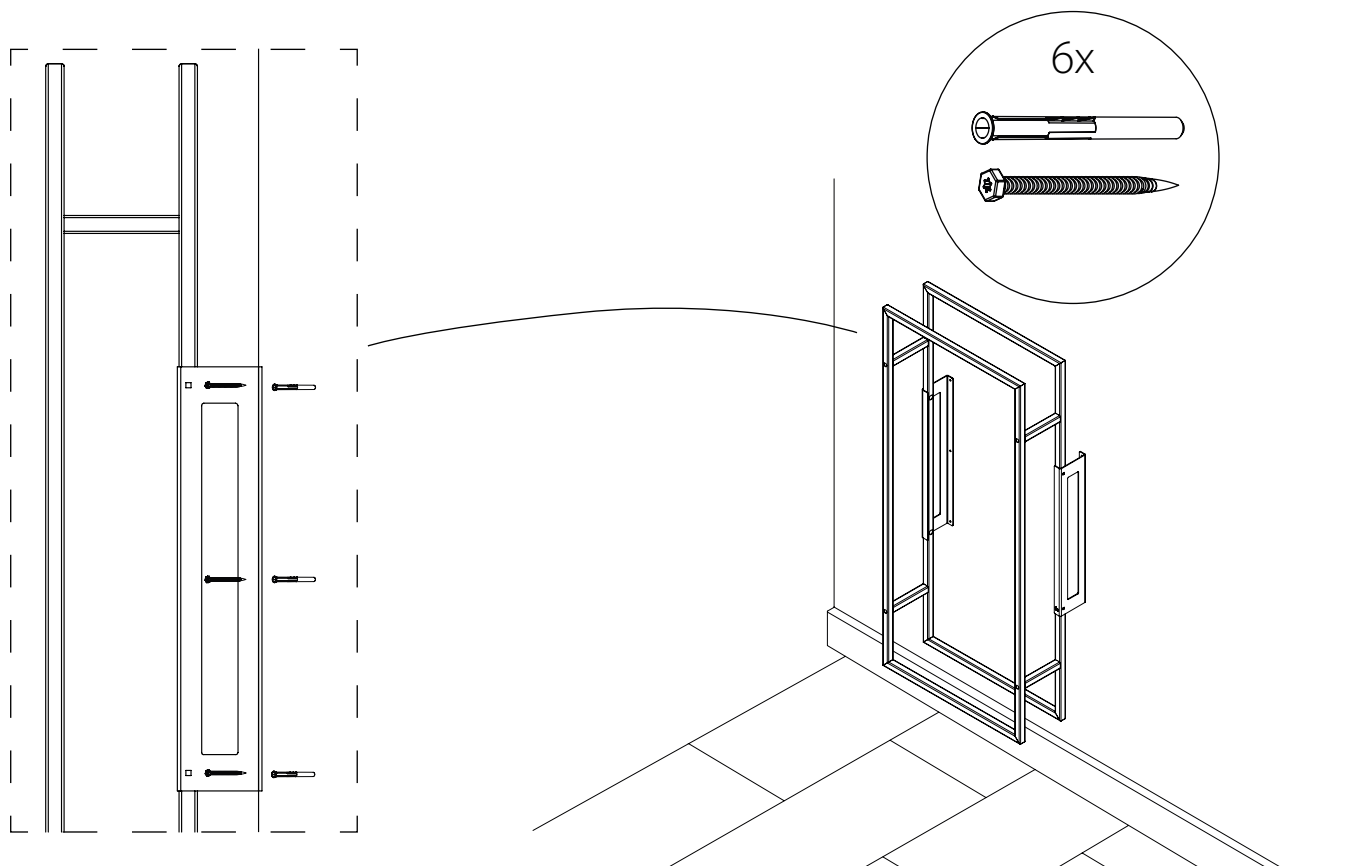


04| Sealing caps

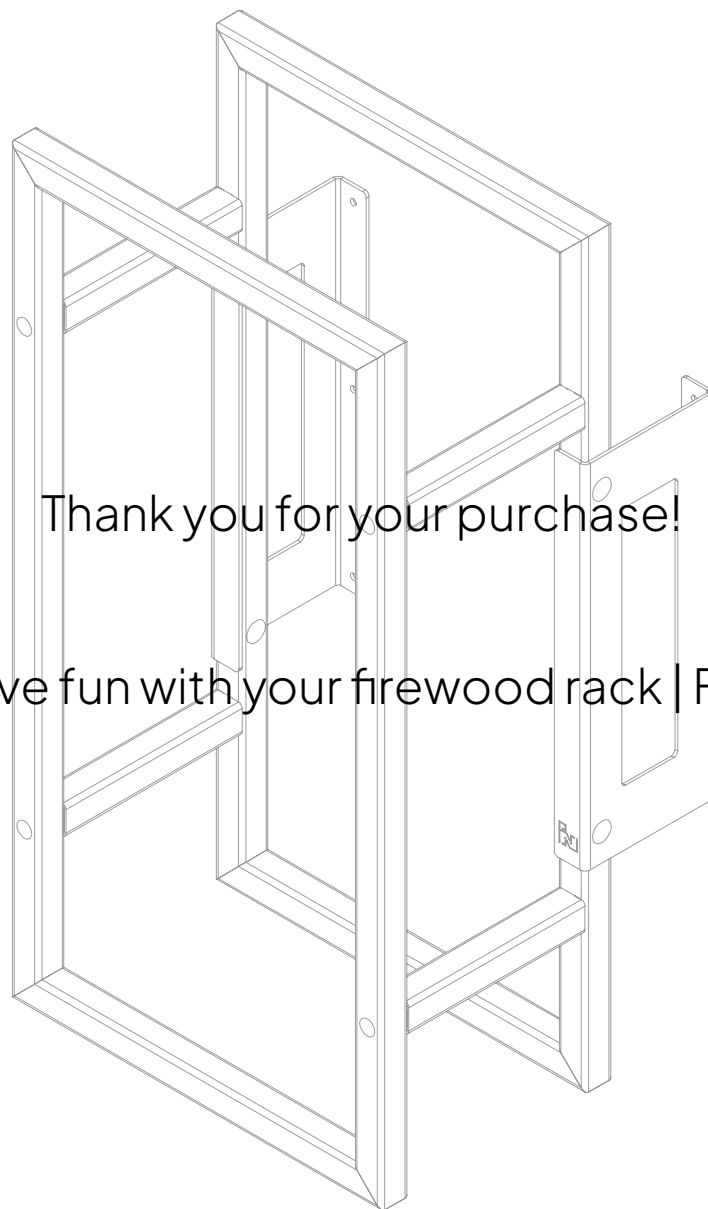
Cover the holes in the firewood rack with the supplied sealing caps



05| Mounting on the wall



1. Position the firewood rack against the wall on the desired place.
2. Use a spirit level to ensure that the firewood rack hangs straight.
3. Mark the 6 positions (holes in the brackets) on the wall. Use a pencil or marker for this.
4. Remove the firewood rack from the wall.
5. Drill the holes with a $\text{Ø}10\text{mm}$ masonry drill, 40mm deep using an impact drill.
6. Place the 6 supplied plugs in the drilled holes.
7. Reposition the firewood rack in the correct position.
8. Fix the firewood rack with the 6 supplied ag bolts using a 10&13mm socket wrench. Tighten the bolts properly!



Thank you for your purchase!

Have fun with your firewood rack | Fyre

Indusigns

van ontwerp tot realisatie