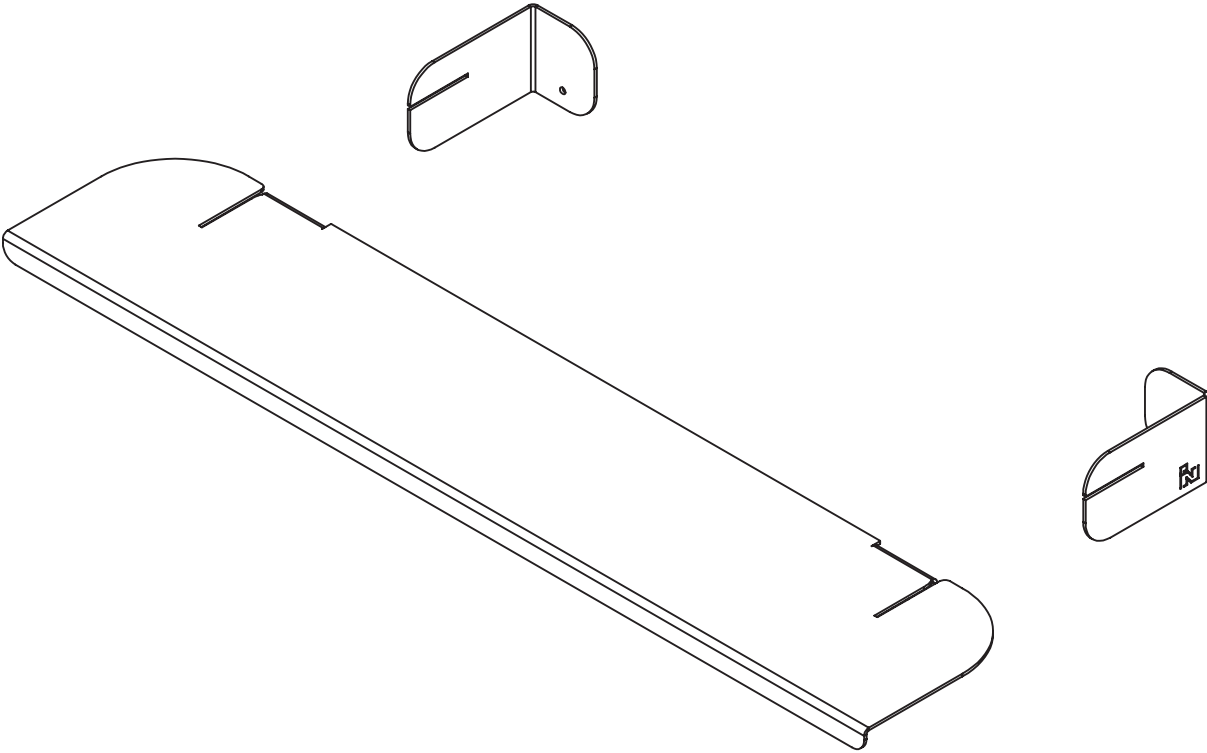


Wall Shelf | Shelfy
Installation manual

Contents



2st



Screw

2st



Multi plug

2st
plug



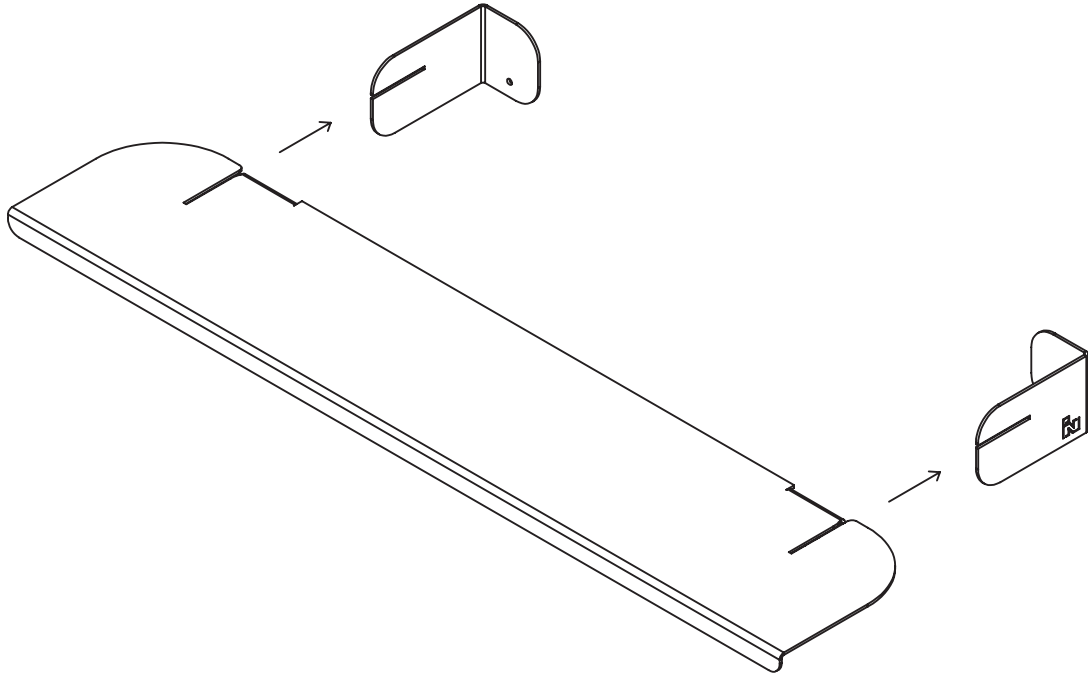
Plasterboard

Supplies

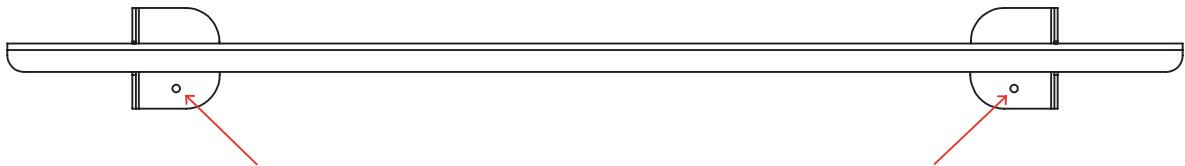
- Pencil
- Level
- Impact drill
- Masonry drill Ø6mm
- Screwdriver

01 | Preparation

Use a soft surface during installation to avoid damage.



Slide the wall shelf parts together.



Mark the holes on the wall with a pencil or marker.

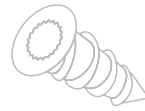
Make sure that the wall shelf is hanging level.

02| Mounting with multi-plug

Choose which plug you will use.



A

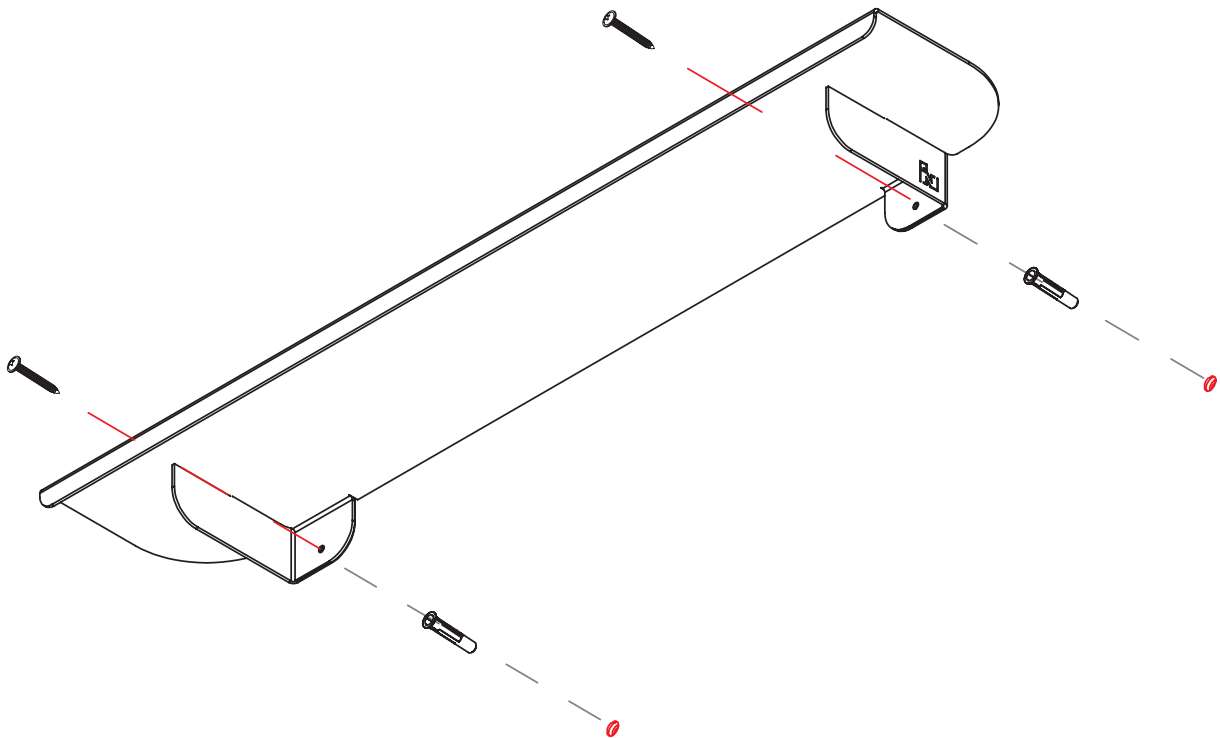


B

Drill holes at the marked position.

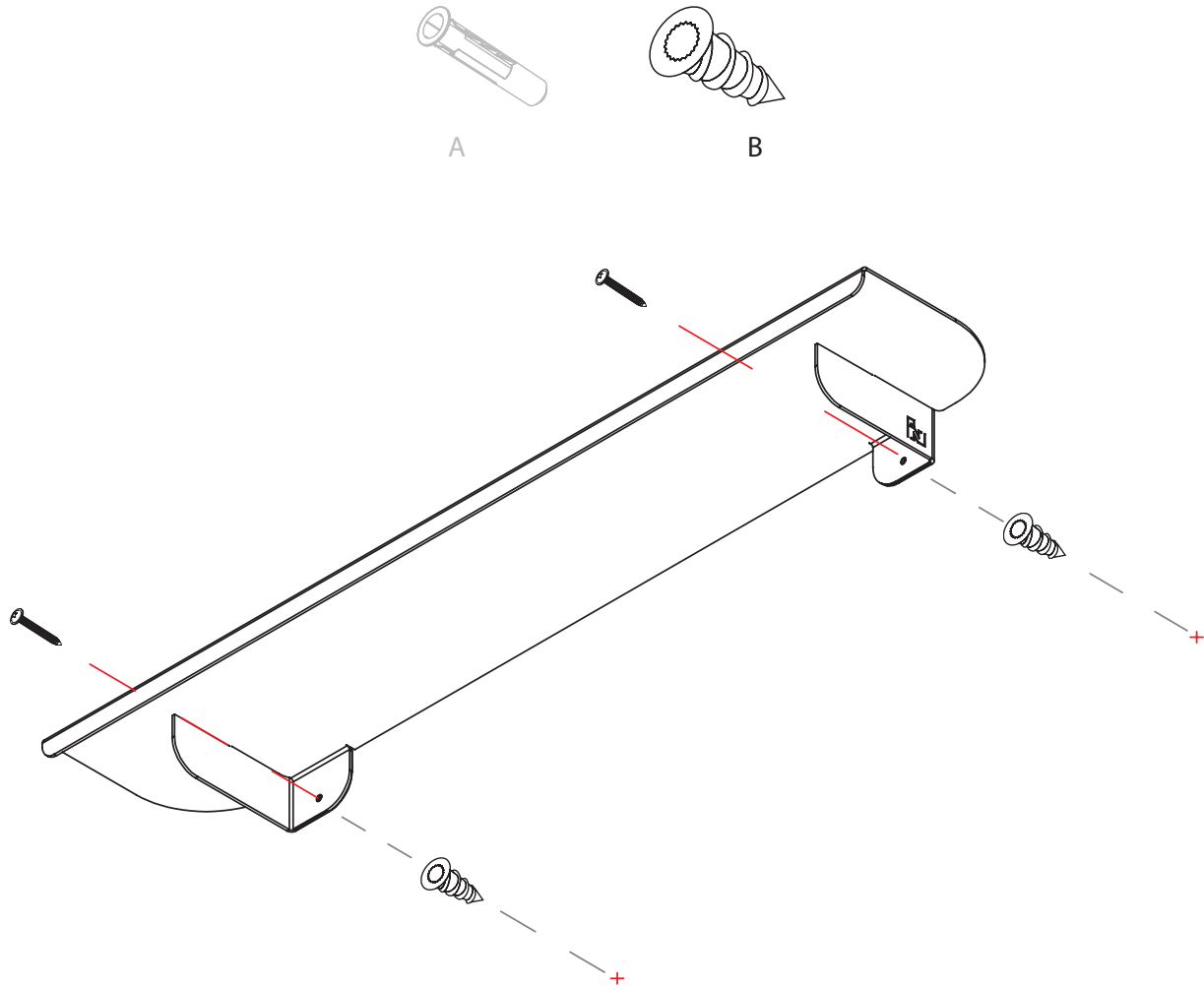
Add plugs to the pre-drilled holes.

Secure the wall shelf with the supplied screws.



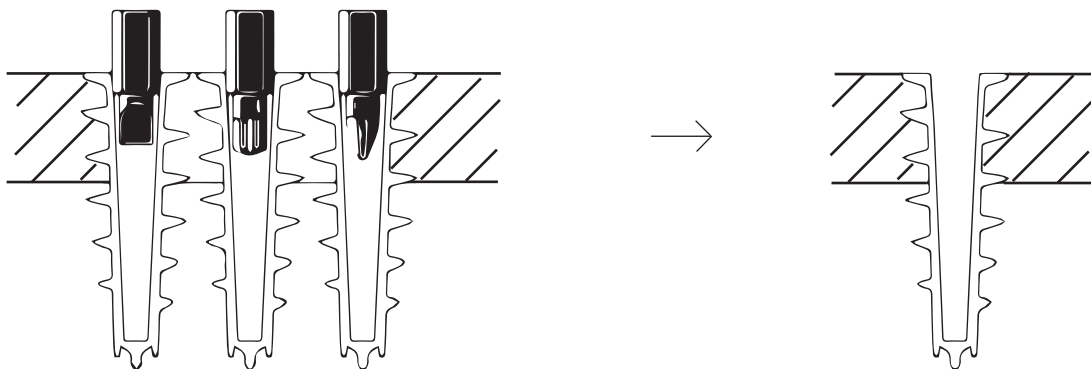
03| Mounting with plasterboard

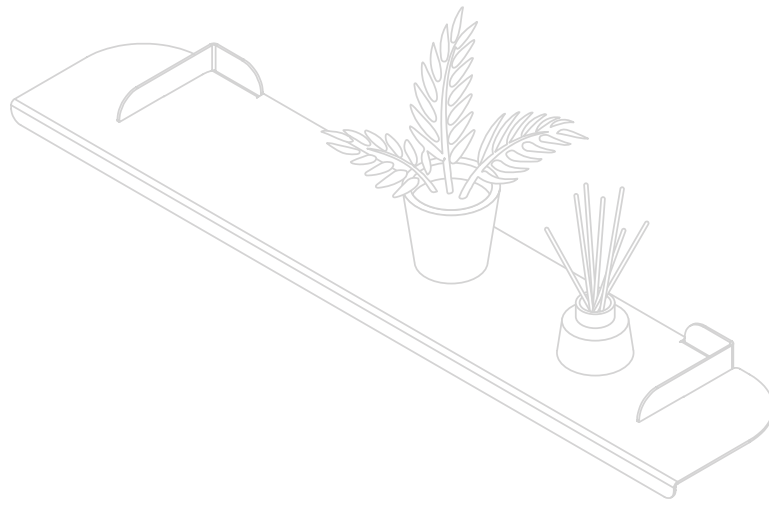
For a plasterboard plug DO NOT PRE-Drill: Screw the plug directly into the wall at the marked positions.



Screw the plug into the wall with a screwdriver. NOTE: Use a bit that has the correct size.

Tighten the plug until it is completely flush in the wall. Make sure the plug doesn't spin!





Bedankt voor uw aankoop!

Veel plezier met uw wandplank | Shelfy

Indusigns

van ontwerp tot realisatie