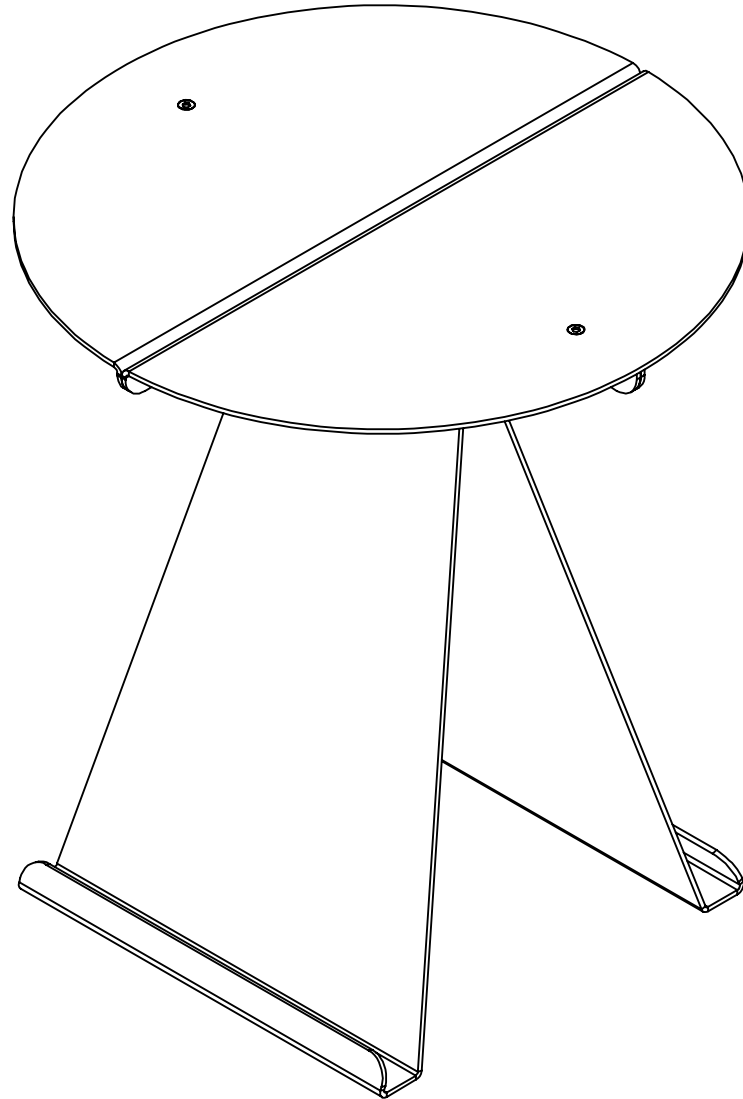

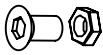



Sidetable | Tabo

Installation manual

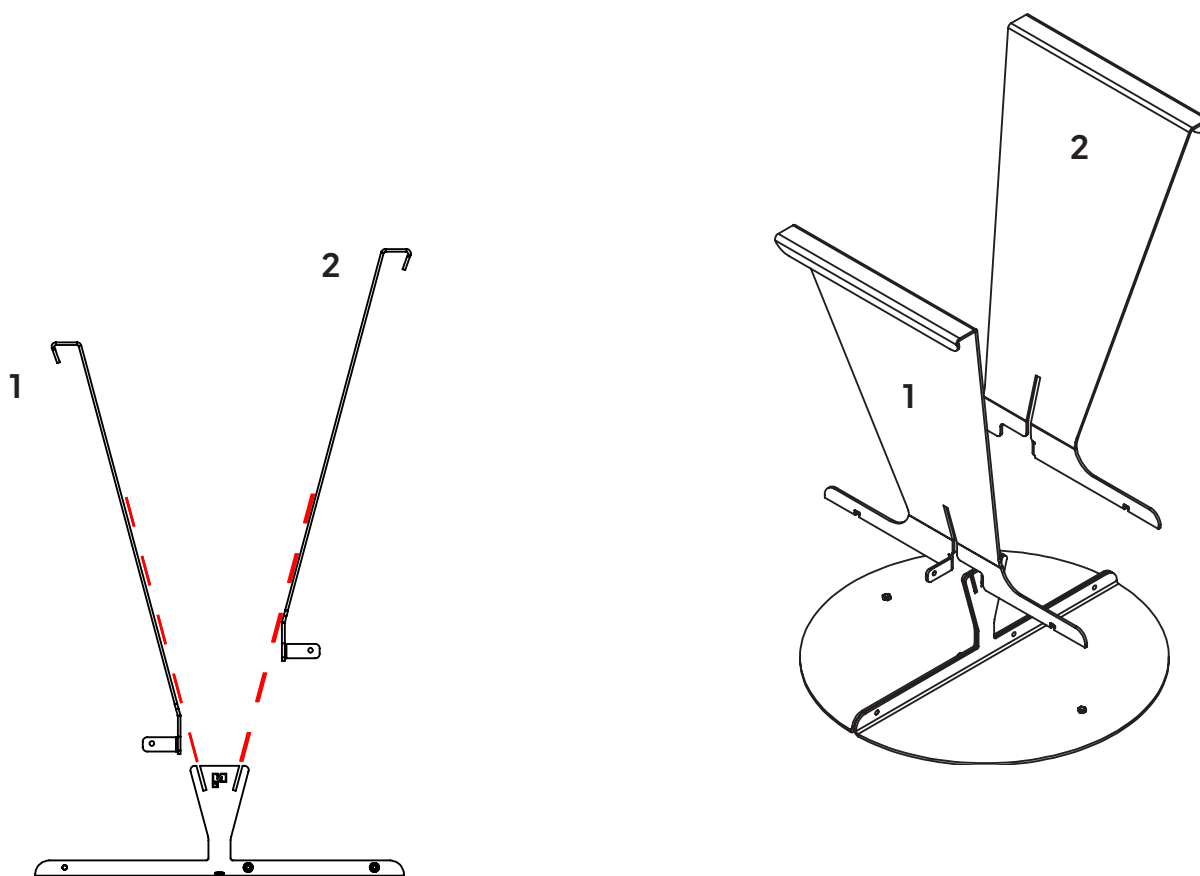
Content



-
- | | | |
|-----|---|--|
| 4st |  | Allen bolts with socket head M5 |
| 2st |  | Countersunk socket head screw M5 with nuts |
| 1st |  | Allen key |

01| Preparation

The Tabo side table is easy to install yourself.

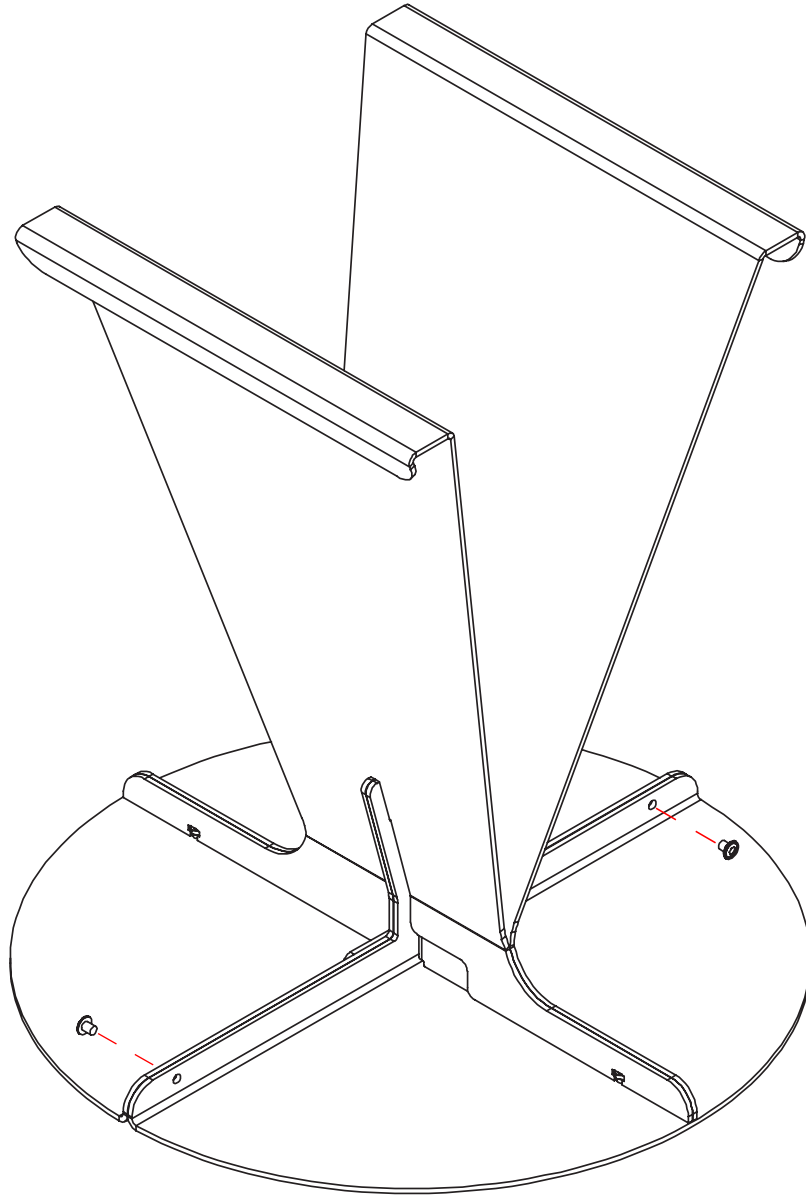


The Tabo side table is easy to install yourself.

1. Place the two parts of the table top face down on a protected flat surface. For example, use a towel for protection.
2. Slide the table legs one by one at an angle into the slots as shown in the drawing. Make sure the table tops are properly aligned and touching each other.

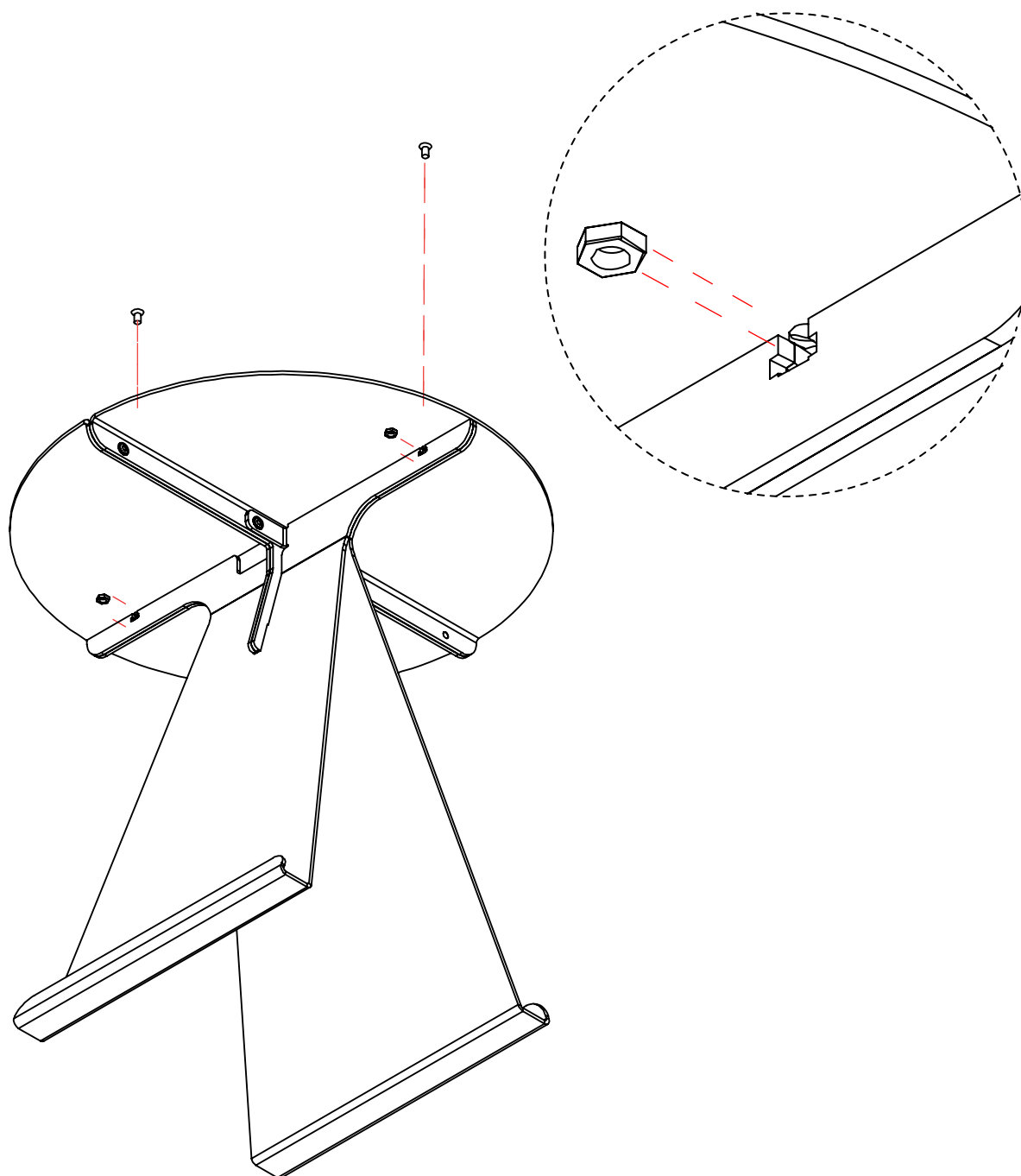


02 | Assemble



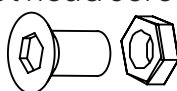
3. Tighten the outer allen bolts in the 2 holes using the allen key as shown above.

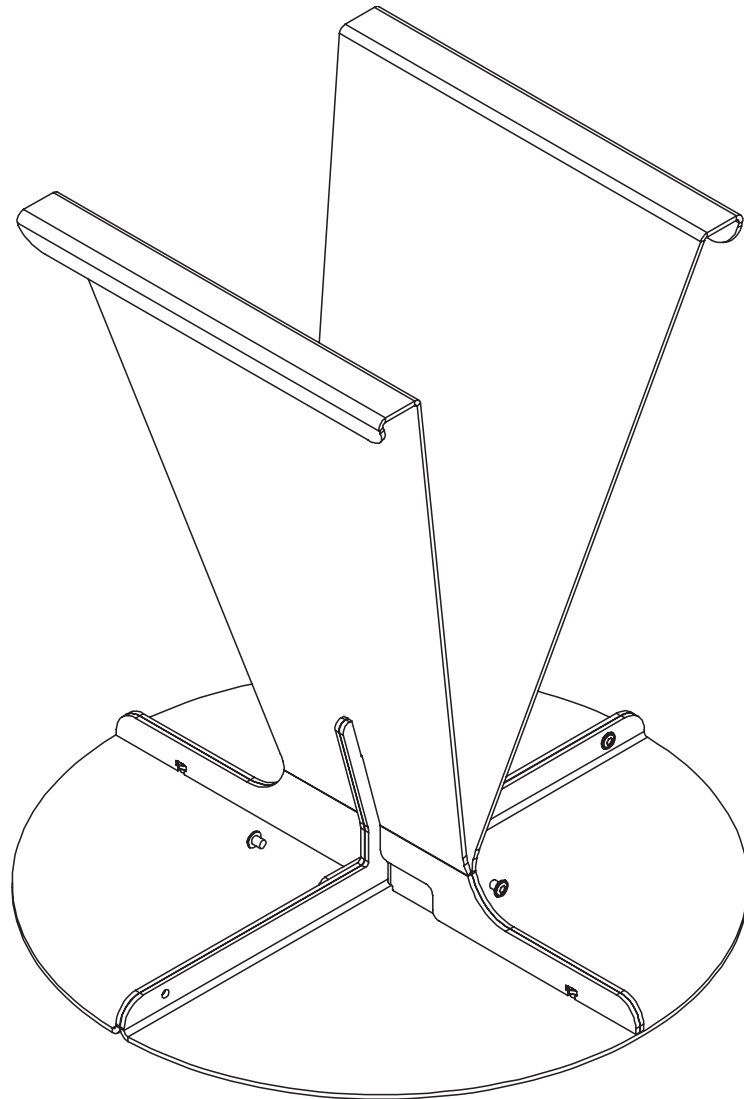




4. Place the table upright

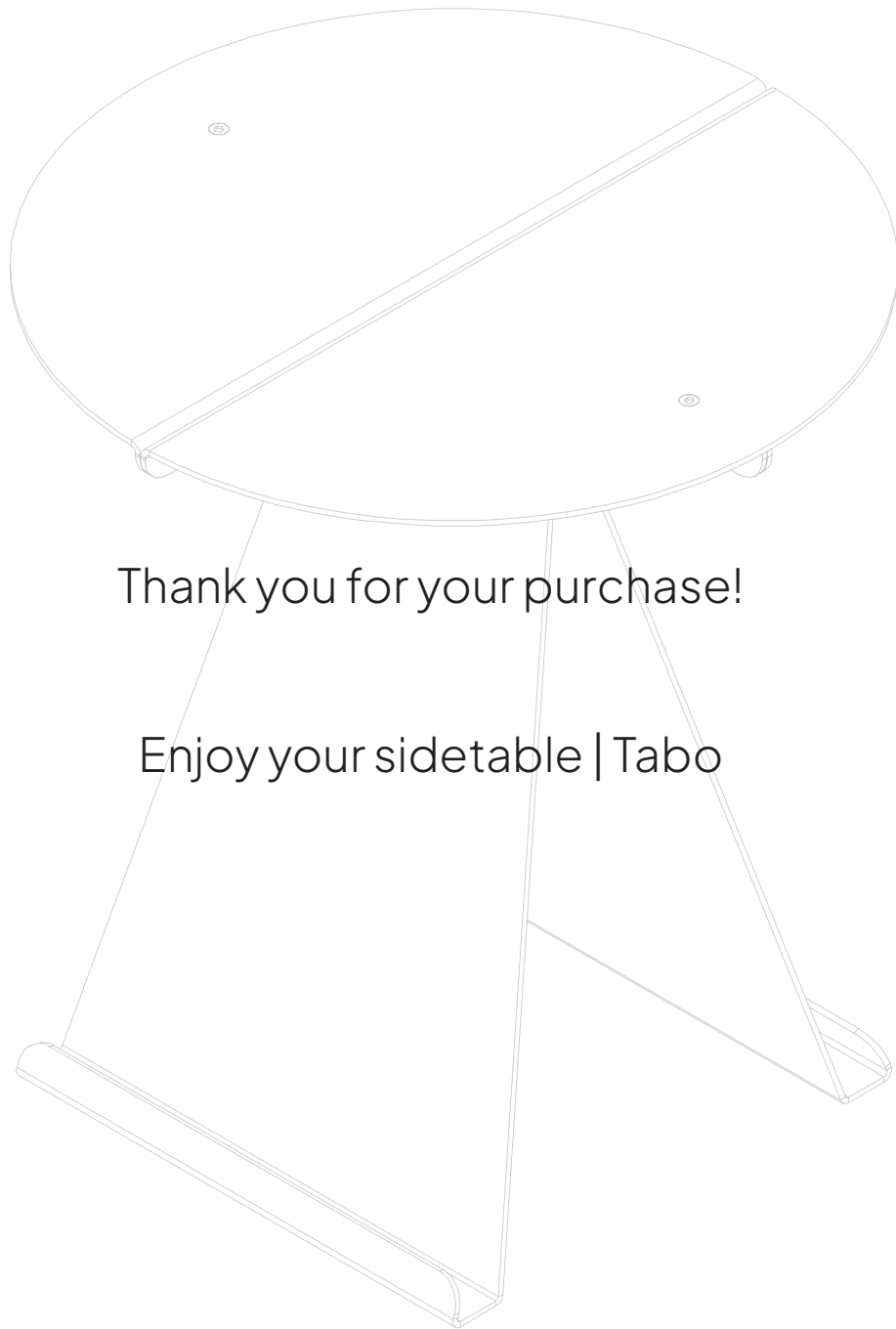
5. Place the nuts in the recesses under the table top, as shown in the drawing. Tighten the countersunk socket head screws using the allen key.





6. Tighten the inner allen bolts in the 2 holes using the allen key as shown above.





Thank you for your purchase!

Enjoy your sidetable | Tabo