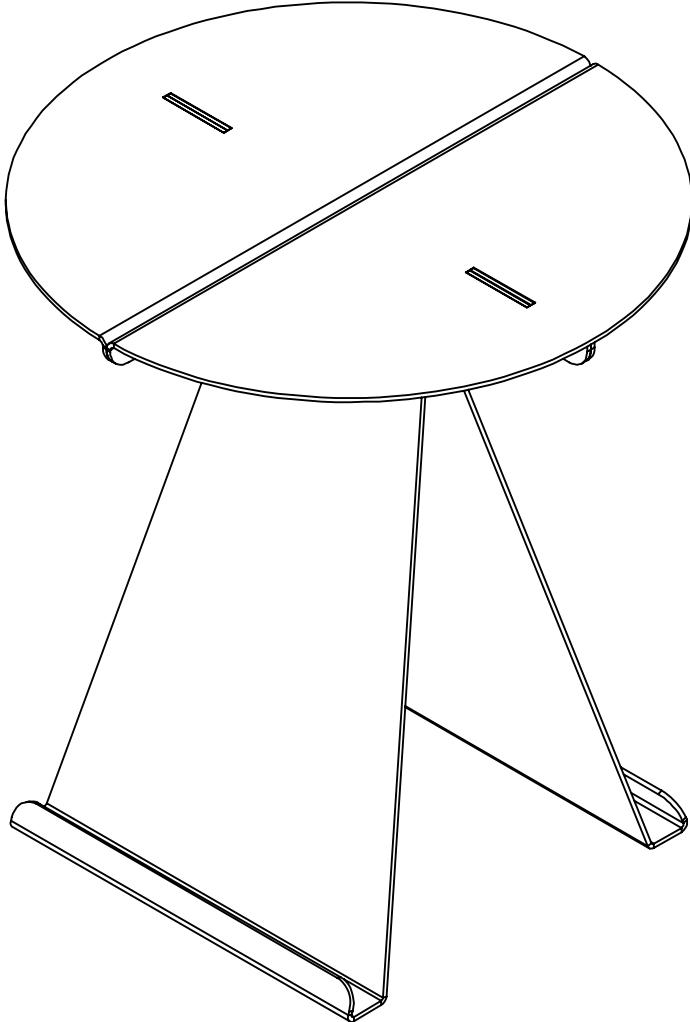


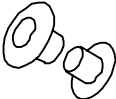
Sidetable | Tabo

Installation manual

Contents



4pc



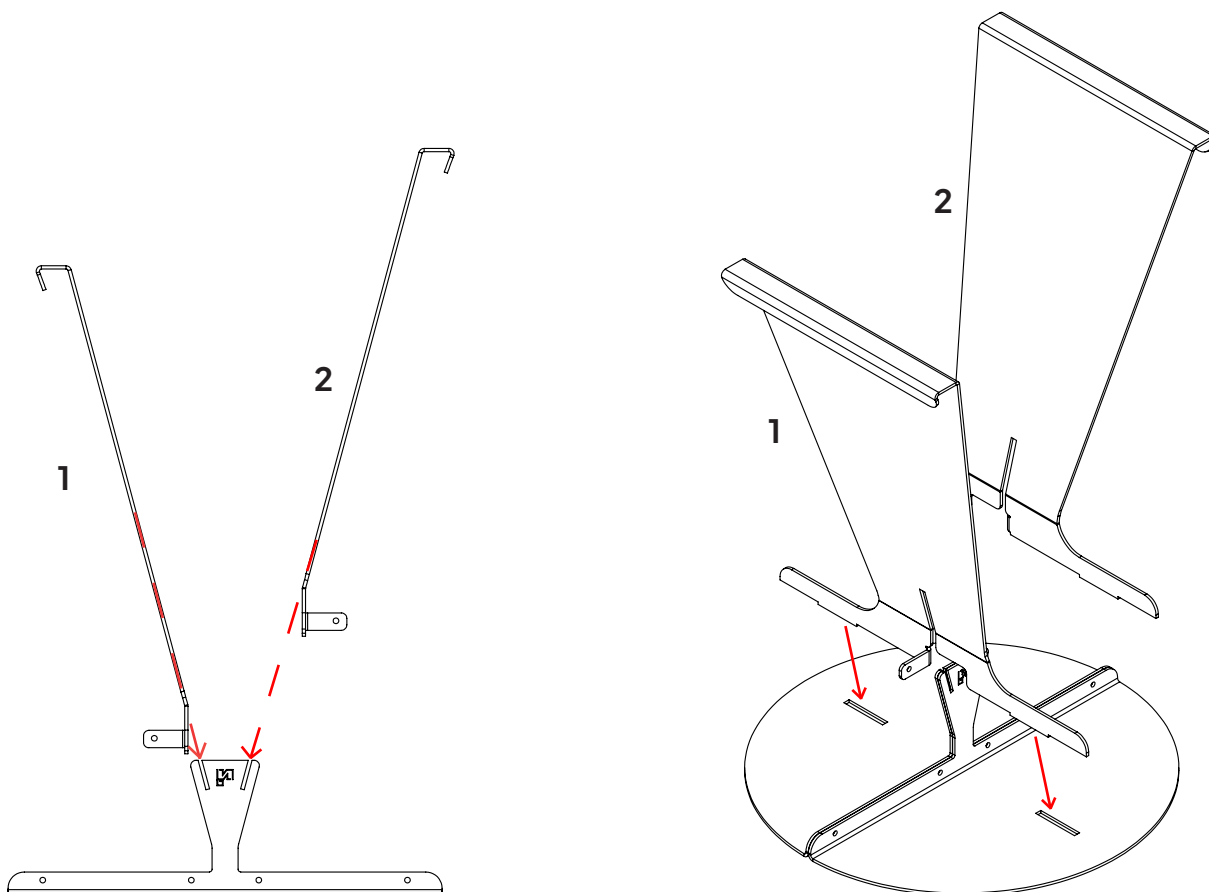
Screws

Required supplies

- Screwdriver flat head

01| Assembly

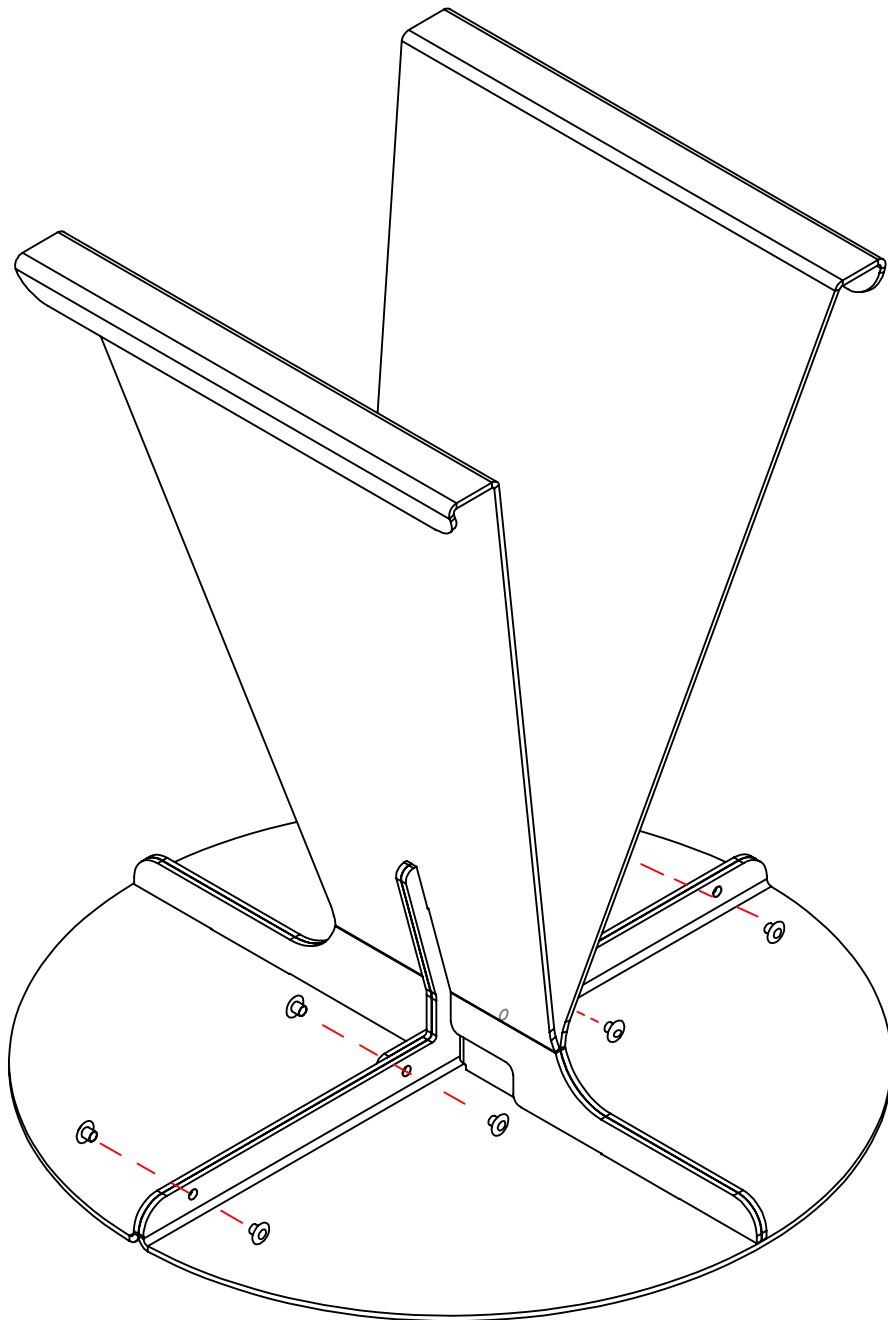
The side table is easy to install on your own



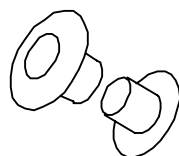
1. Put the two pieces of the table top upside down on a flat protected surface.
2. One by one place the two legs of the table in the designated gaps as shown in the drawing. Make sure the holes in the table top are aligned with the nooks on the legs (shown in red). Make sure all the other holes in the table top are aligned.



02 | Assembly



3. Push the screw with thread through the holes in the table top. Push on the other screw and tighten them (shown in red).





Thank you for your purchase!

Enjoy your sidetable | Pica

Indusigns

van ontwerp tot realisatie