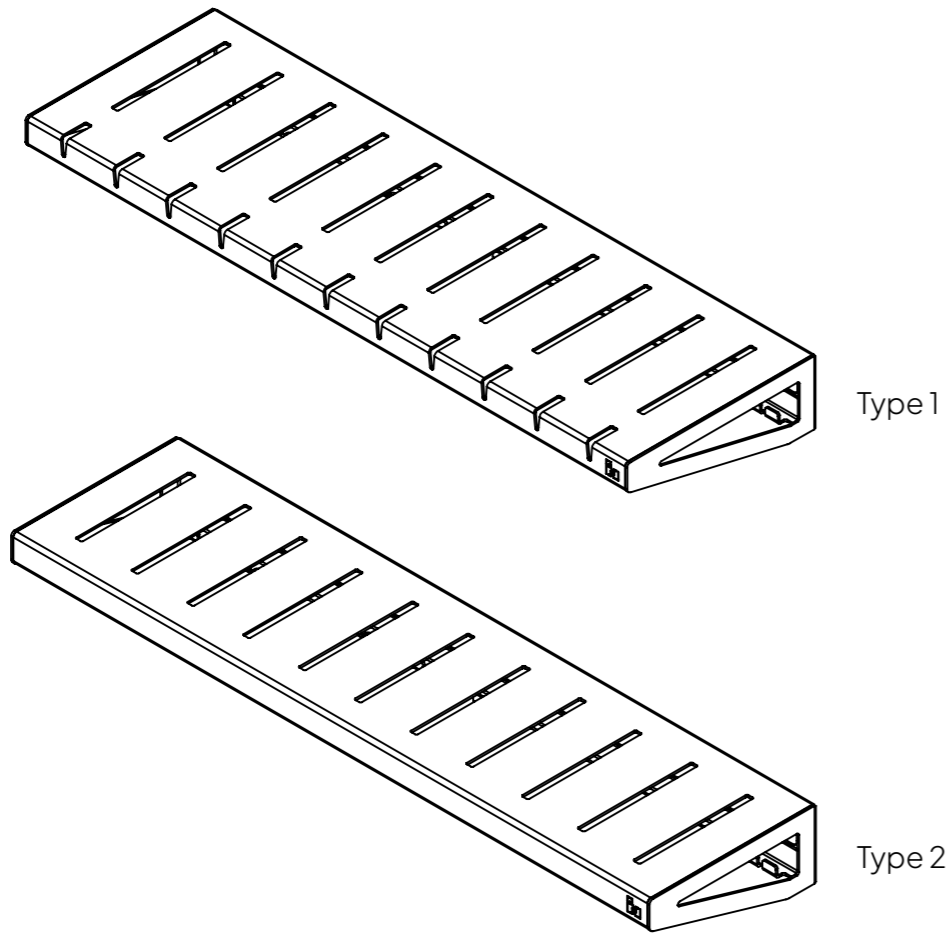

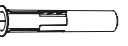




Wandgarderobe Racky

Installationsanleitung

Contents



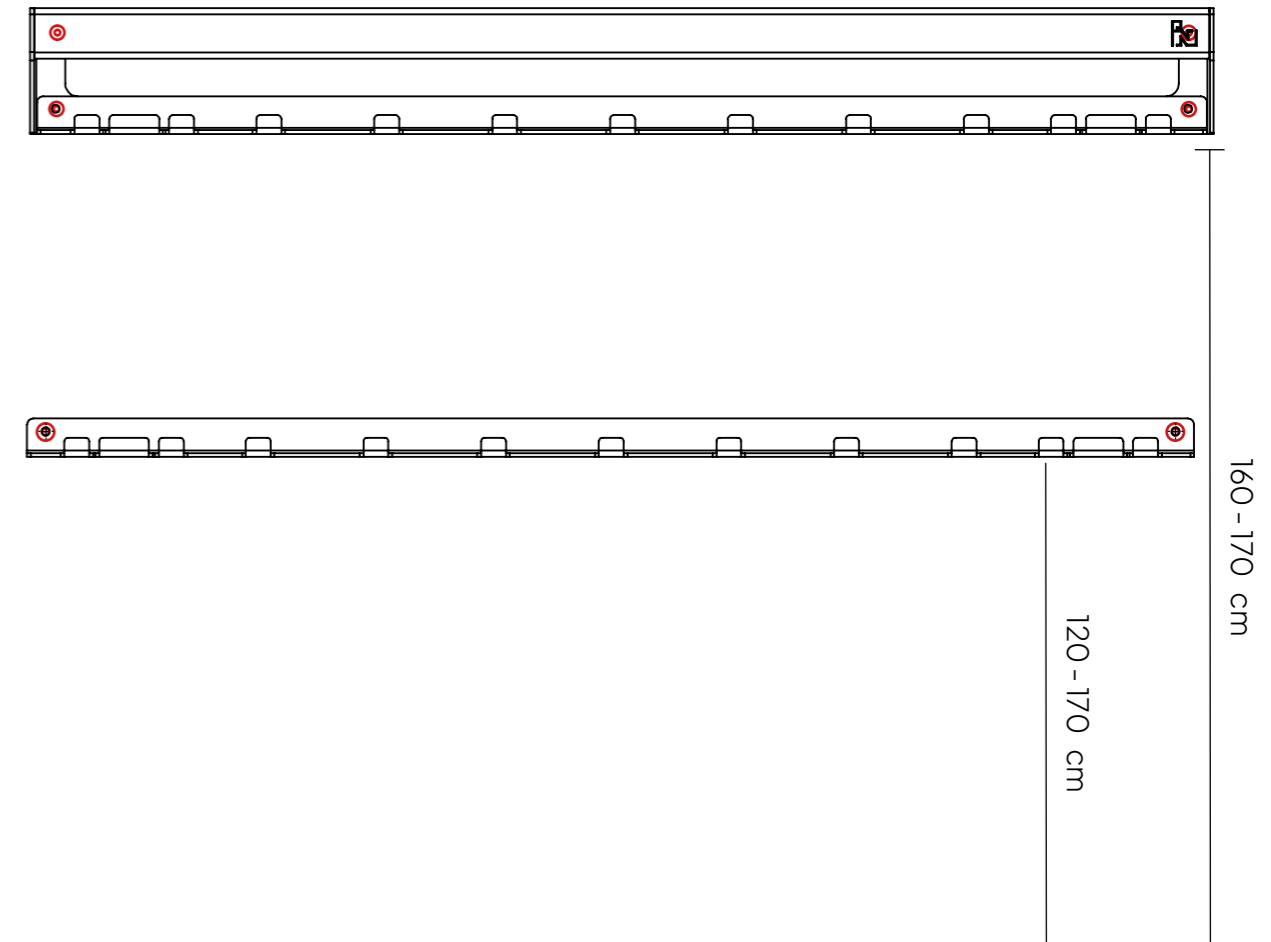
- 6st  Bolts
- 6st  Plugs
- 6st  Cover caps
- 4st  Keychains

Benötigte Artikel

- Bleistift
- Ebene
- Schlagbohrmaschine
- Schraubenmaschine
- Steinbohrer Ø8mm
- Steckschlüssel 10

01| Marking the wall

It is recommended to install the coat rack with two or more people.



Determine the desired height for the coat rack. The average height for a coat rack is between 160 and 170 cm from the ground.

You can choose to place the monorack separately from the coat rack. In that case, prepare six holes instead of four.

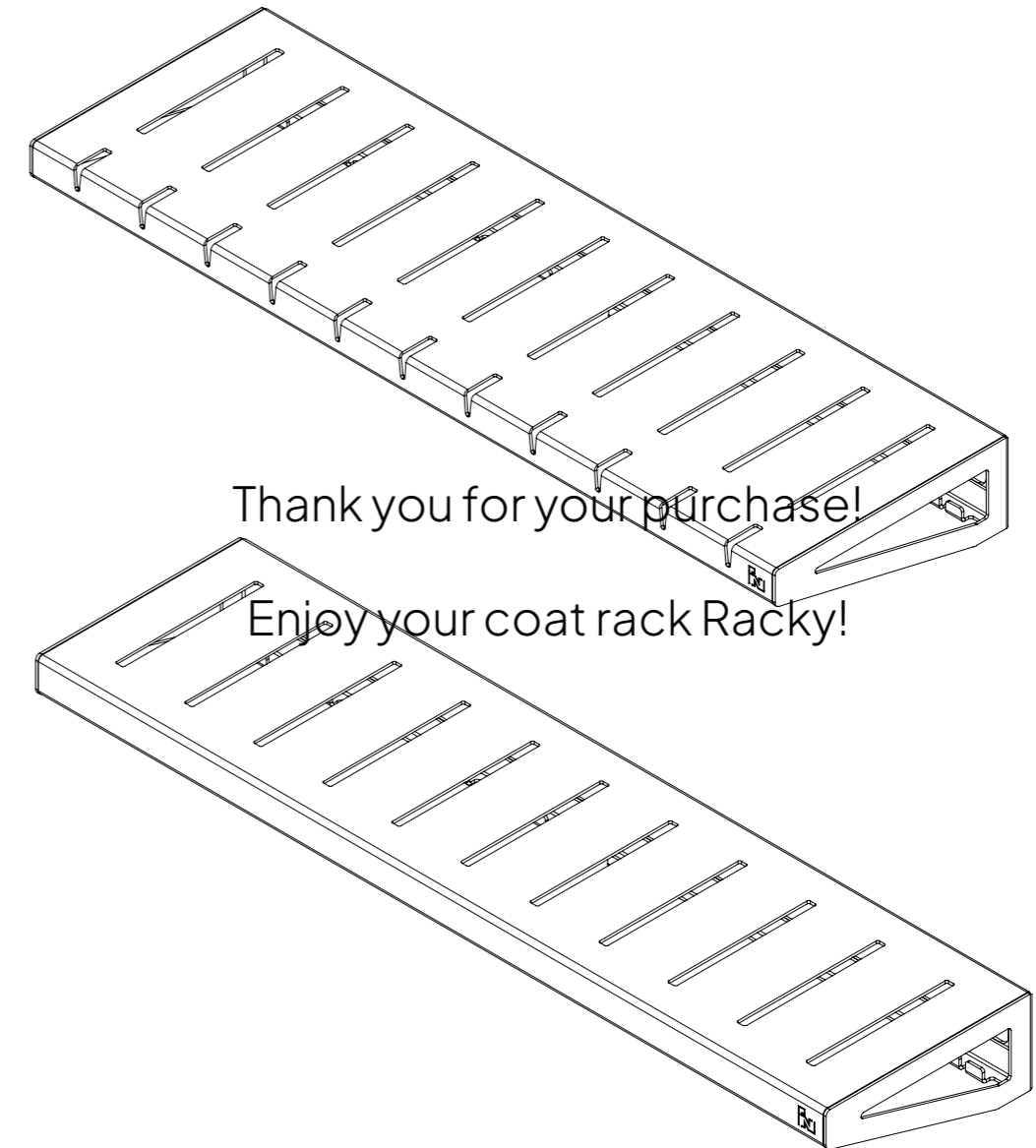
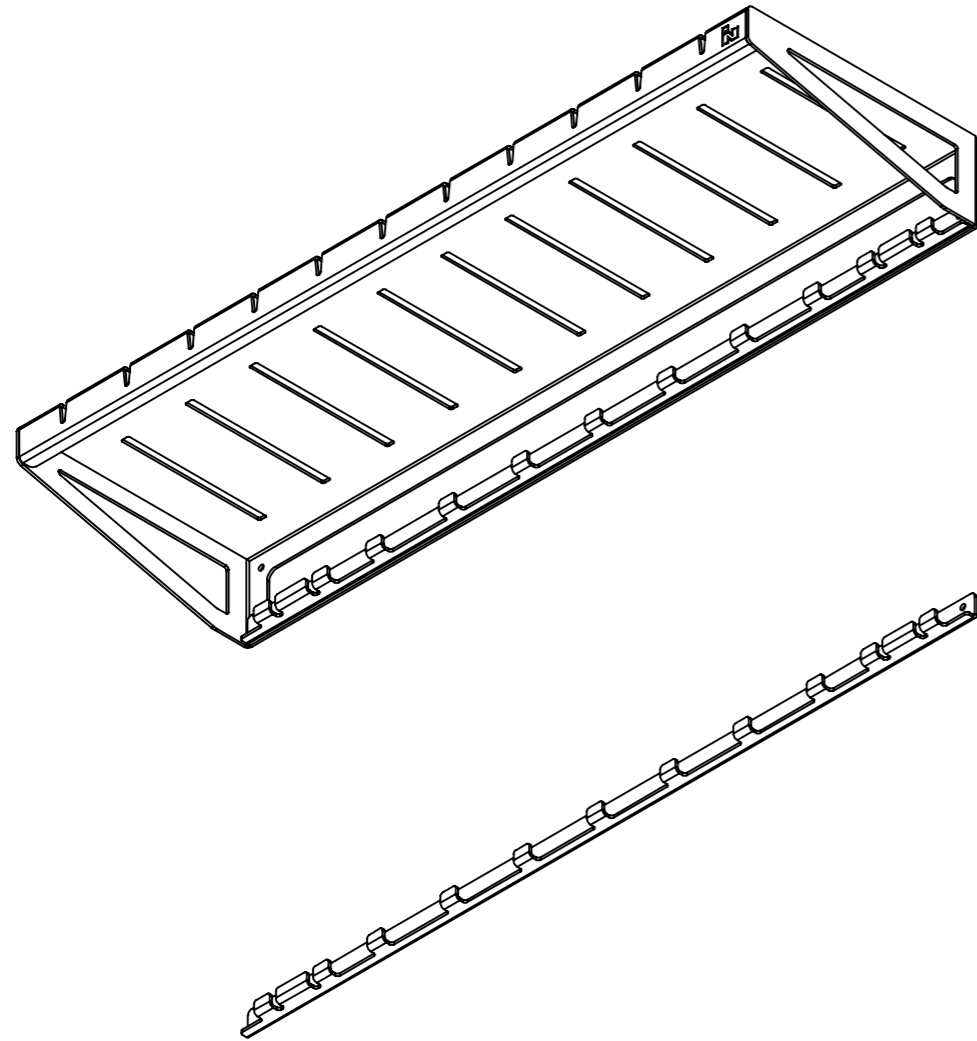
The average height for children is 120cm from the ground.

Hold the coat rack against the wall at the desired height and mark the holes at the positions indicated in red.

Make sure that the coat rack is hanging level.



02 | Attach to the wall



Drill the holes at the marked positions $\varnothing 8\text{mm}$.

Drive the plugs into the wall.



Use the bolts and a socket wrench size 10 to attach the coat rack.



Cover the bolts with the supplied cover caps.



Indusigns
van ontwerp tot realisatie